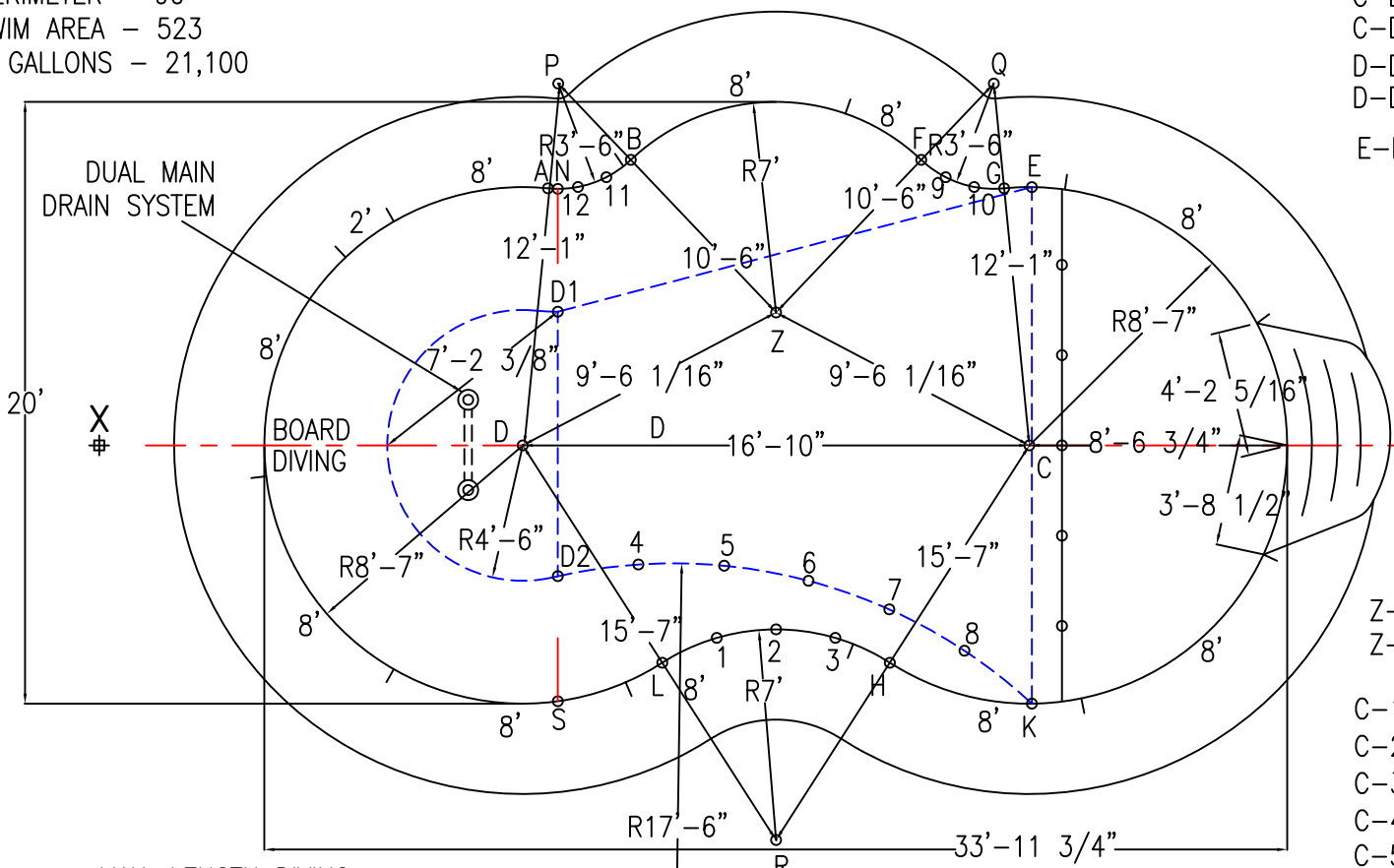


TRUE PERIMETER - 90'  
 SQFT SWIM AREA - 523  
 APPROX GALLONS - 21,100

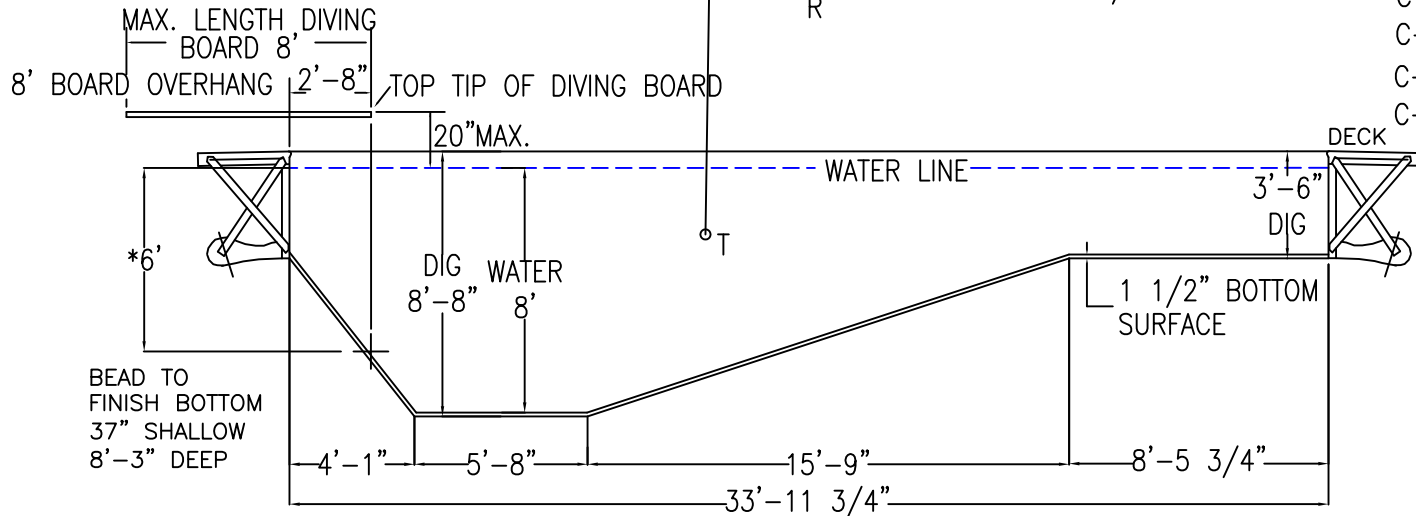
C-D1 = 16'-3 1/2"  
 C-D2 = 16'-3 1/8"  
 D-D1 = 4'-7 1/8"  
 D-D2 = 4'-6"  
 E-K = 17'-2"  
 D-B = 10'-1 3/4"  
 D-F = 16'-3 1/2"  
 D-G = 18'-1 1/2"  
 D-E = 18'-11 5/8"  
 D-K = 18'-11 5/8"  
 D-H = 14'-2 1/8"  
 D-T = 22'



C-A = 18'-1 1/2"  
 C-B = 16'-3 1/2"  
 C-F = 10'-1 3/4"  
 C-L = 14'-2 1/8"  
 C-T = 24'-5 1/2"  
 D-1 = 9'-1"  
 D-2 = 10'-4 7/8"  
 D-3 = 12'-2 3/8"  
 D-4 = 5'-6 1/4"  
 D-5 = 7'-9 1/2"  
 D-6 = 10'-6 1/8"  
 D-7 = 13'-4 1/8"  
 D-8 = 16'-2 1/4"  
 D-9 = 16'-7 3/4"  
 D-10 = 17'-3 3/8"  
 D-11 = 9'-4"  
 D-12 = 8'-9 3/8"

Z-A = 8'-7 1/2"  
 Z-G = 8'-7 1/2"

C-1 = 12'-2 3/8"  
 C-2 = 10'-4 7/8"  
 C-3 = 9'-1"  
 C-4 = 13'-7"  
 C-5 = 10'-10 7/8"  
 C-6 = 8'-7 1/4"  
 C-7 = 7'-2"  
 C-8 = 7'-1 7/8"  
 C-9 = 9'-4"  
 C-10 = 8'-9 3/8"  
 C-11 = 16'-7 3/4"  
 C-12 = 17'-3 3/8"



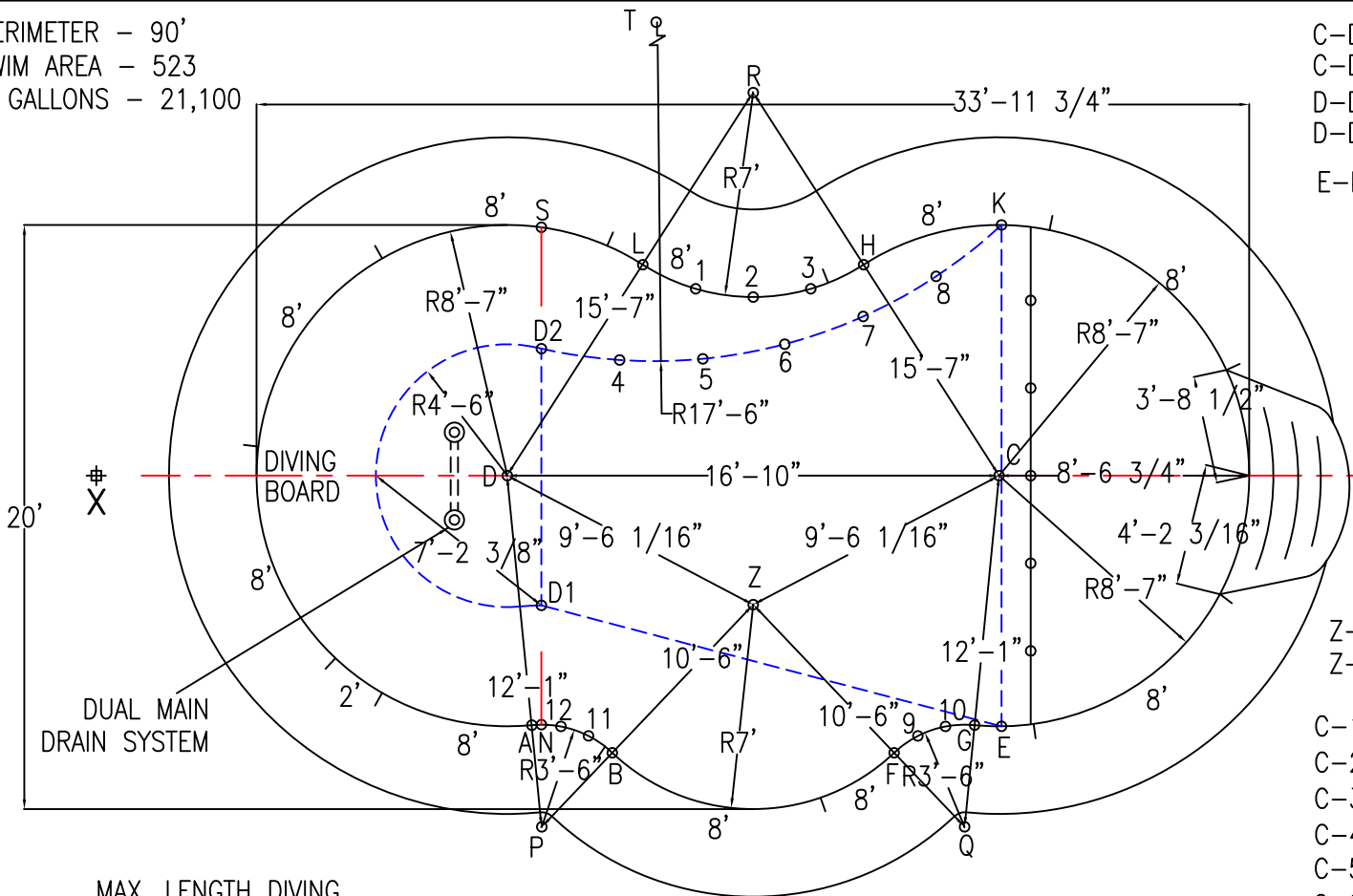
DRAWING MUST BE APPROVED AND SIGNED BEFORE ORDER WILL BE PLACED FOR ALL SPECIAL ORDERS.

DEALER \_\_\_\_\_  
 LINER CHOICE \_\_\_\_\_  
 DATE \_\_\_\_\_  
 CUSTOMER \_\_\_\_\_

- NOTES:
1. X-BRACES ON MAXIMUM 4'-0" SPACING
  2. SAFETY LINE MUST BE 12" IN FRONT OF BREAK IF SLOPE IS LESS THAN 7' TO 1' PITCH
  3. DUAL MAIN DRAIN SYSTEM SHOULD BE INSTALLED IN ACCORDANCE WITH FOX POOLS RECOMMENDATION.
  4. INSTALLATION TO BE IN ACCORDANCE WITH FOX POOL RECOMMENDATIONS
  5. \*IMPORTANT 6' MINIMUM DEPTH UNDER DIVING BOARD

FOX POOL	
TITLE 2034 PROMO BAYSIDE LT 8' w. 8' RAD STAIR CENT.	
DATE 9/28/23	TYPE II
DWG. NO. 02-1763	SCALE NONE
DRW. BY S.SHOCKNEY	

TRUE PERIMETER - 90'  
 SQFT SWIM AREA - 523  
 APPROX GALLONS - 21,100

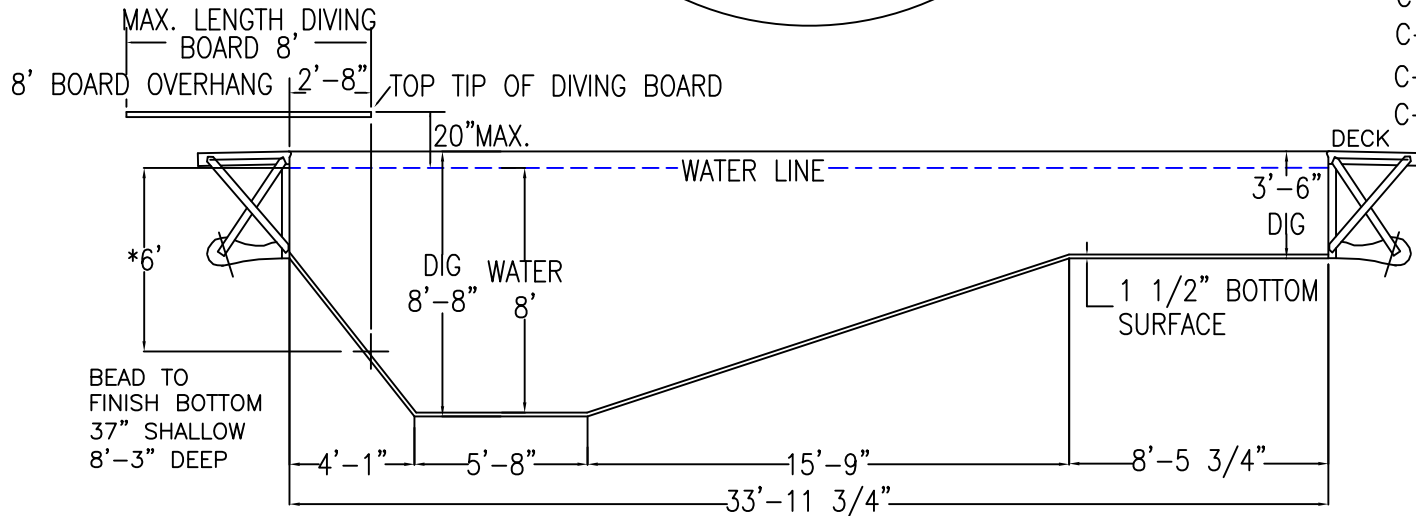


C-D1 = 16'-3 1/2" D-B = 10'-1 3/4"  
 C-D2 = 16'-3 1/8" D-F = 16'-3 1/2"  
 D-D1 = 4'-7 1/8" D-G = 18'-1 1/2"  
 D-D2 = 4'-6" D-E = 18'-11 5/8"  
 E-K = 17'-2" D-K = 18'-11 5/8"  
 D-H = 14'-2 1/8"  
 D-T = 22'

C-A = 18'-1 1/2"  
 C-B = 16'-3 1/2"  
 C-F = 10'-1 3/4"  
 C-L = 14'-2 1/8"  
 C-T = 24'-5 1/2"

D-1 = 9'-1"  
 D-2 = 10'-4 7/8"  
 D-3 = 12'-2 3/8"  
 D-4 = 5'-6 1/4"  
 D-5 = 7'-9 1/2"  
 D-6 = 10'-6 1/8"  
 D-7 = 13'-4 1/8"  
 D-8 = 16'-2 1/4"  
 D-9 = 16'-7 3/4"  
 D-10 = 17'-3 3/8"  
 D-11 = 9'-4"  
 D-12 = 8'-9 3/8"

Z-A = 8'-7 1/2"  
 Z-G = 8'-7 1/2"  
 C-1 = 12'-2 3/8"  
 C-2 = 10'-4 7/8"  
 C-3 = 9'-1"  
 C-4 = 13'-7"  
 C-5 = 10'-10 7/8"  
 C-6 = 8'-7 1/4"  
 C-7 = 7'-2"  
 C-8 = 7'-1 7/8"  
 C-9 = 9'-4"  
 C-10 = 8'-9 3/8"  
 C-11 = 16'-7 3/4"  
 C-12 = 17'-3 3/8"



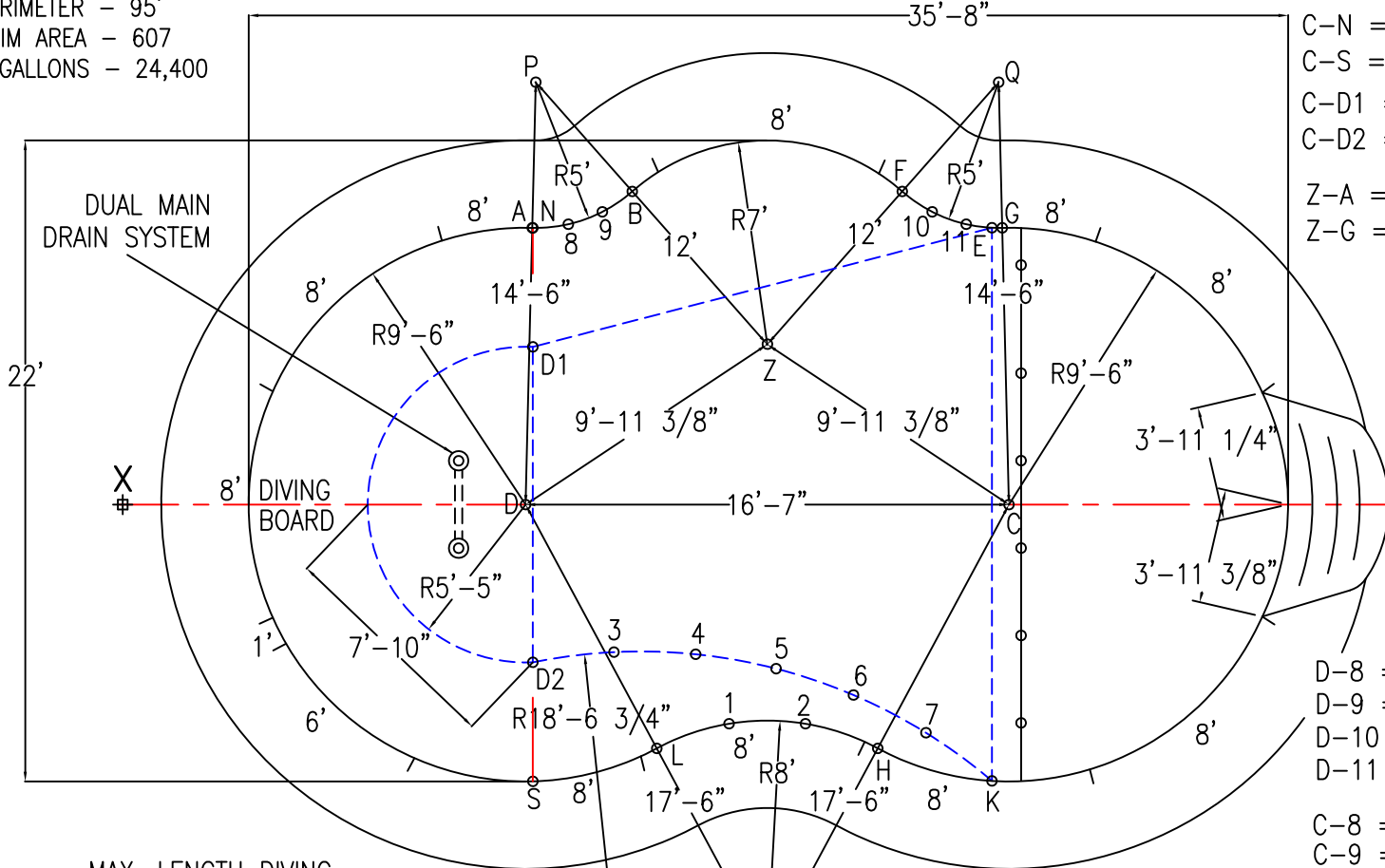
DRAWING MUST BE APPROVED AND SIGNED BEFORE ORDER WILL BE PLACED FOR ALL SPECIAL ORDERS.

DEALER \_\_\_\_\_  
 LINER CHOICE \_\_\_\_\_  
 DATE \_\_\_\_\_  
 CUSTOMER \_\_\_\_\_

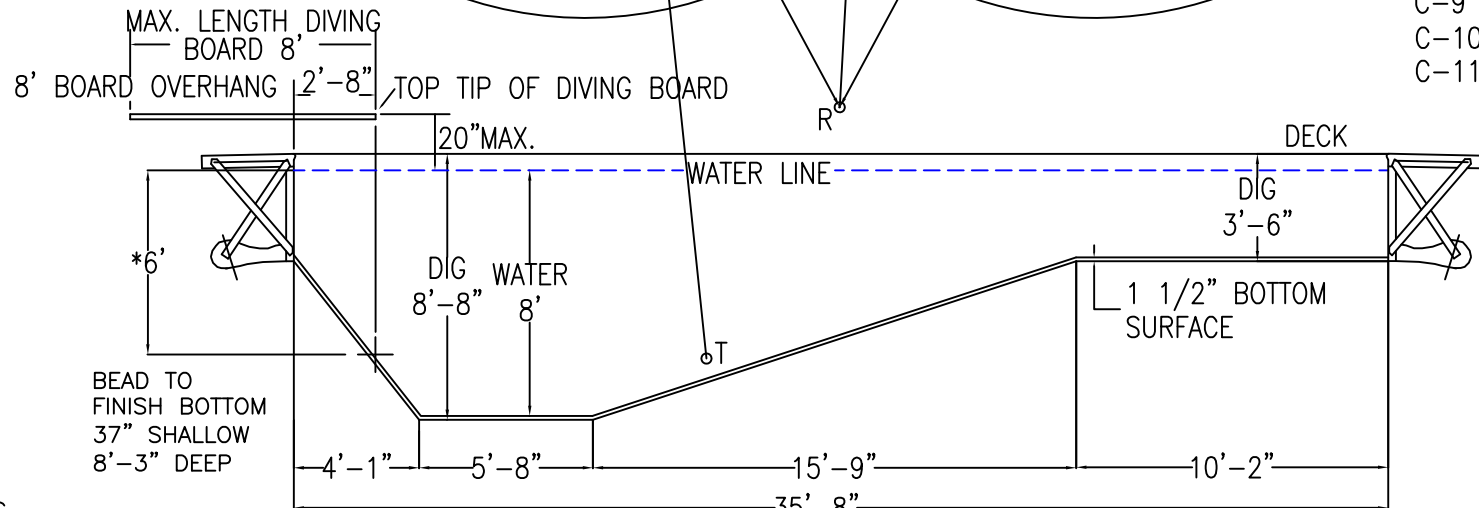
- NOTES:
1. X-BRACES ON MAXIMUM 4'-0" SPACING
  2. SAFETY LINE MUST BE 12" IN FRONT OF BREAK IF SLOPE IS LESS THAN 7' TO 1' PITCH
  3. DUAL MAIN DRAIN SYSTEM SHOULD BE INSTALLED IN ACCORDANCE WITH FOX POOLS RECOMMENDATION.
  4. INSTALLATION TO BE IN ACCORDANCE WITH FOX POOL RECOMMENDATIONS
  5. \*IMPORTANT 6' MINIMUM DEPTH UNDER DIVING BOARD

FOX POOL	
TITLE 2034 PROMO BAYSIDE RT 8' w. 8' RAD STAIR CENT.	
DATE 9/28/23	TYPE II
DWG. NO. 02-1764	SCALE NONE
DRW. BY S.SHOCKNEY	

TRUE PERIMETER - 95'  
 SQFT SWIM AREA - 607  
 APPROX GALLONS - 24,400



- C-N = 18'-10 3/4"
- C-S = 18'-10 3/4"
- C-D1 = 17'-1 1/2"
- C-D2 = 17'-2 1/2"
- Z-A = 9'
- Z-G = 9'
- D-B = 11'-4 1/4"
- D-F = 16'-9 3/4"
- D-G = 18'-11"
- D-H = 14'-8 3/8"
- D-E = 18'-7 1/4"
- D-K = 18'-7 1/4"
- D-T = 23'-11 1/8"
- C-A = 18'-11"
- C-B = 16'-9 3/4"
- C-F = 11'-4 1/4"
- C-L = 14'-8 3/8"
- C-E = 9'-6 1/4"
- C-T = 26'-9 1/4"
- E-K = 18'-11 7/8"
- D-1 = 10'-3 1/8"
- D-2 = 12'-2 3/8"
- D-3 = 5'-10 7/8"
- D-4 = 7'-9 1/4"
- D-5 = 10'-3 1/4"
- D-6 = 13'-0 1/8"
- D-7 = 15'-9 3/4"
- C-1 = 12'-2 3/8"
- C-2 = 10'-3 1/8"
- C-3 = 14'-5 1/2"
- C-4 = 11'-11"
- C-5 = 9'-9 1/4"
- C-6 = 8'-5 1/4"
- C-7 = 8'-4"
- D-8 = 9'-8 3/4"
- D-9 = 10'-4 5/8"
- D-10 = 17'-2 1/4"
- D-11 = 17'-11"
- C-8 = 17'-11"
- C-9 = 17'-2 1/4"
- C-10 = 10'-4 5/8"
- C-11 = 9'-8 3/4"



**DRAWING MUST BE APPROVED AND SIGNED BEFORE ORDER WILL BE PLACED FOR ALL SPECIAL ORDERS.**

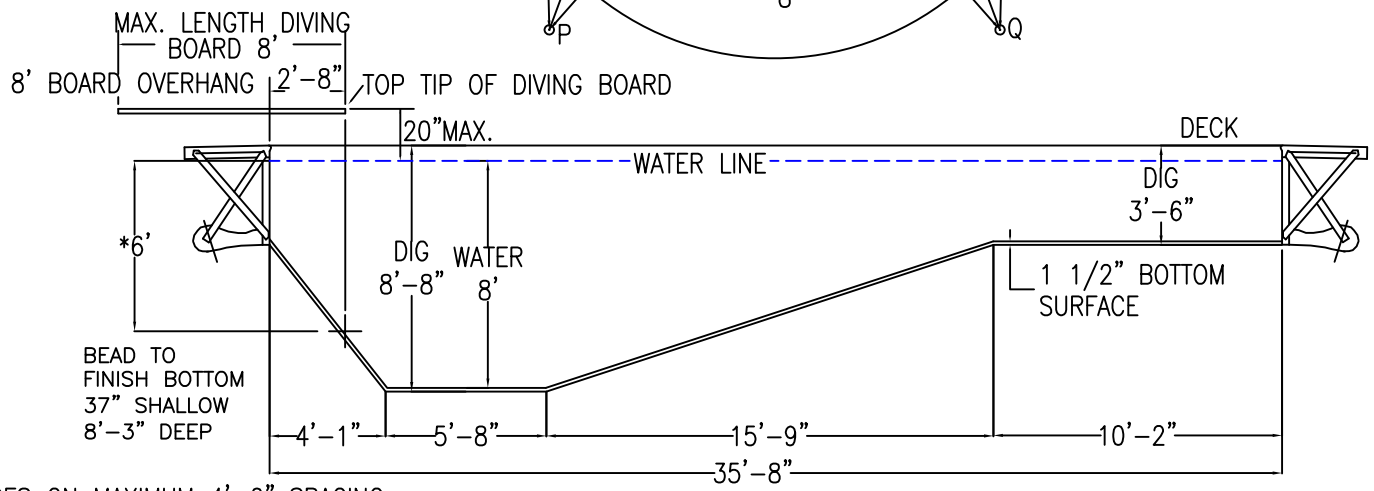
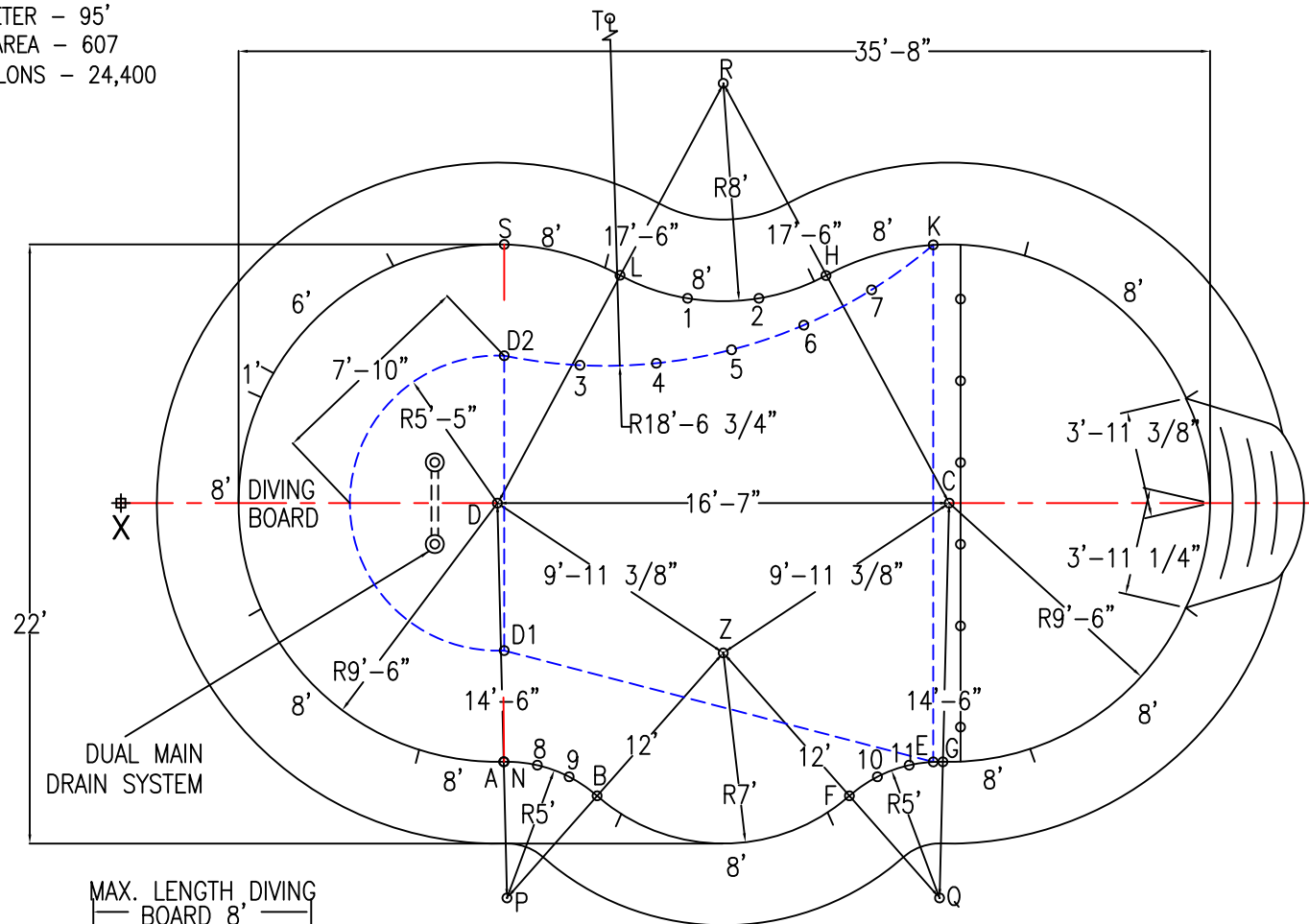
DEALER \_\_\_\_\_  
 LINER CHOICE \_\_\_\_\_  
 DATE \_\_\_\_\_  
 CUSTOMER \_\_\_\_\_

FOX POOL	
TITLE 2236 PROMO BAYSIDE LT 8' w/8' RAD STAIR CENT.	
DATE 9/28/23	TYPE II
DWG. NO. 02-1765	SCALE NONE
DRW. BY S.SHOCKNEY	

- NOTES:
1. X-BRACES ON MAXIMUM 4'-0" SPACING
  2. SAFETY LINE MUST BE 12" IN FRONT OF BREAK IF SLOPE IS LESS THAN 7' to 1' PITCH
  3. DUAL MAIN DRAIN SYSTEM SHOULD BE INSTALLED IN ACCORDANCE TO FOX POOLS RECOMMENDATION.
  4. INSTALLATION TO BE IN ACCORDANCE WITH FOX POOL RECOMMENDATIONS
  5. **\*IMPORTANT 6' MINIMUM DEPTH UNDER DIVING BOARD**

TRUE PERIMETER - 95'  
 SQFT SWIM AREA - 607  
 APPROX GALLONS - 24,400

- C-N = 18'-10 3/4"
- C-S = 18'-10 3/4"
- C-D1 = 17'-1 1/2"
- C-D2 = 17'-2 1/2"
- D-B = 11'-4 1/4"
- D-F = 16'-9 3/4"
- D-G = 18'-11"
- D-H = 14'-8 3/8"
- D-E = 18'-7 1/4"
- D-K = 18'-7 1/4"
- D-T = 23'-11 1/8"
- C-A = 18'-11"
- C-B = 16'-9 3/4"
- C-F = 11'-4 1/4"
- C-L = 14'-8 3/8"
- C-E = 9'-6 1/4"
- C-T = 26'-9 1/4"
- E-K = 18'-11 7/8"
- Z-A = 9'
- Z-G = 9'
- C-1 = 12'-2 3/8"
- C-2 = 10'-3 1/8"
- C-3 = 14'-5 1/2"
- C-4 = 11'-11"
- C-5 = 9'-9 1/4"
- C-6 = 8'-5 1/4"
- C-7 = 8'-4"
- C-8 = 17'-11"
- C-9 = 17'-2 1/4"
- C-10 = 10'-4 5/8"
- C-11 = 9'-8 3/4"
- D-1 = 10'-3 1/8"
- D-2 = 12'-2 3/8"
- D-3 = 5'-10 7/8"
- D-4 = 7'-9 1/4"
- D-5 = 10'-3 1/4"
- D-6 = 13'-0 1/8"
- D-7 = 15'-9 3/4"
- D-8 = 9'-8 3/4"
- D-9 = 10'-4 5/8"
- D-10 = 17'-2 1/4"
- D-11 = 17'-11"



**DRAWING MUST BE APPROVED AND SIGNED BEFORE ORDER WILL BE PLACED FOR ALL SPECIAL ORDERS.**

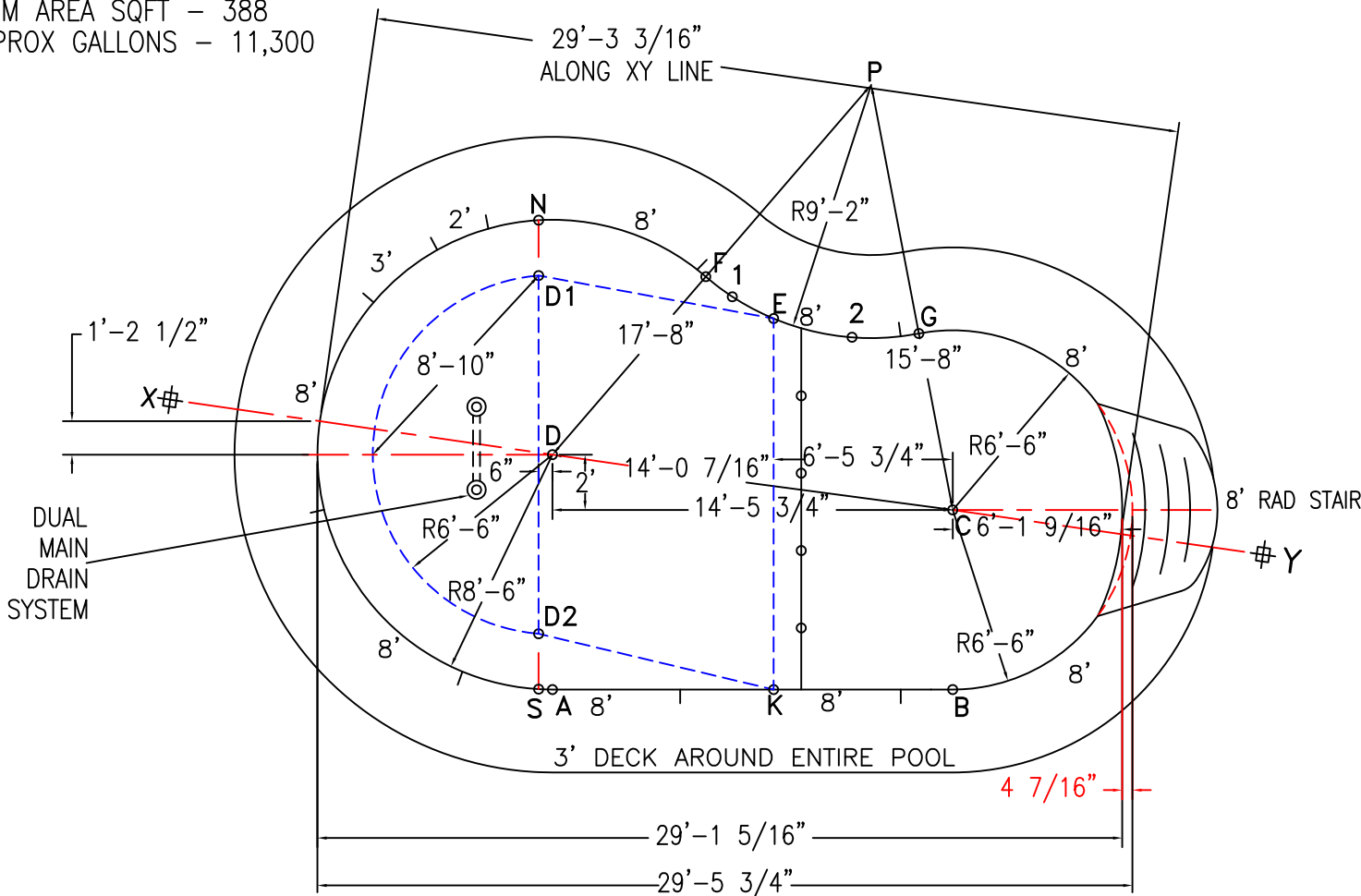
DEALER \_\_\_\_\_  
 LINER CHOICE \_\_\_\_\_  
 DATE \_\_\_\_\_  
 CUSTOMER \_\_\_\_\_

- NOTES:
1. X-BRACES ON MAXIMUM 4'-0" SPACING
  2. SAFETY LINE MUST BE 12" IN FRONT OF BREAK IF SLOPE IS LESS THAN 7' TO 1' PITCH
  3. DUAL MAIN DRAIN SYSTEM SHOULD BE INSTALLED IN ACCORDANCE TO FOX POOLS RECOMMENDATION.
  4. INSTALLATION TO BE IN ACCORDANCE WITH FOX POOL RECOMMENDATIONS
  5. \*IMPORTANT 6' MINIMUM DEPTH UNDER DIVING BOARD

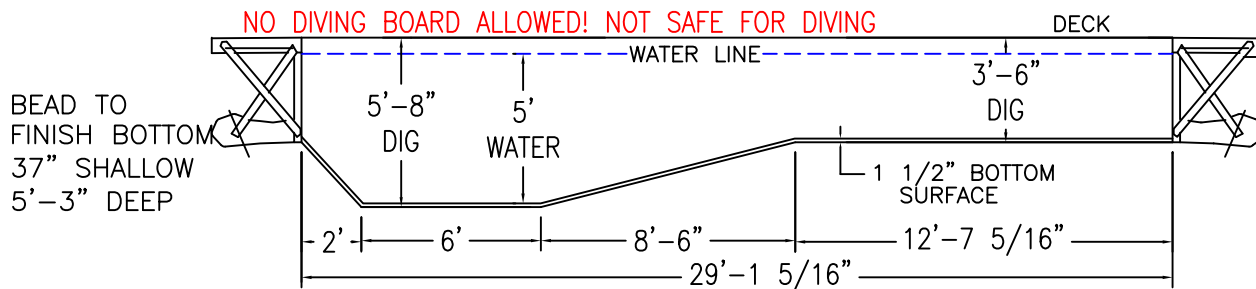
FOX POOL	
TITLE: 2236 PROMO BAYSIDE RT 8' w/8' RAD STAIR CENT.	
DATE: 9/28/23	TYPE: II
DWG. NO.: 02-1766	SCALE: NONE
DRW. BY: S.SHOCKNEY	

©ALL RIGHTS RESERVED

TRUE PERIMETER - 77'  
 SWIM AREA SQFT - 388  
 APPROX GALLONS - 11,300



- C-K = 9'-2 1/8"
- C-A = 15'-10 1/2"
- C-F = 12'-3 1/2"
- C-E = 9'-5 3/4"
- D-K = 11'-8 1/16"
- D-B = 16'-9 1/2"
- D-G = 13'-11 9/16"
- D-E = 9'-4 3/4"
- E-K = 13'-5 1/8"
- C-1 = 10'-8 1/8"
- C-2 = 7'-2 13/16"
- D-1 = 8'-7 7/8"
- D-2 = 11'-7 11/16"
- C-D1 = 17'-2 1/2"
- C-D2 = 15'-7 5/8"
- C-N = 18'-3 1/2"
- C-S = 16'-3 7/8"



DRAWING MUST BE APPROVED  
 AND SIGNED BEFORE ORDER  
 WILL BE PLACED

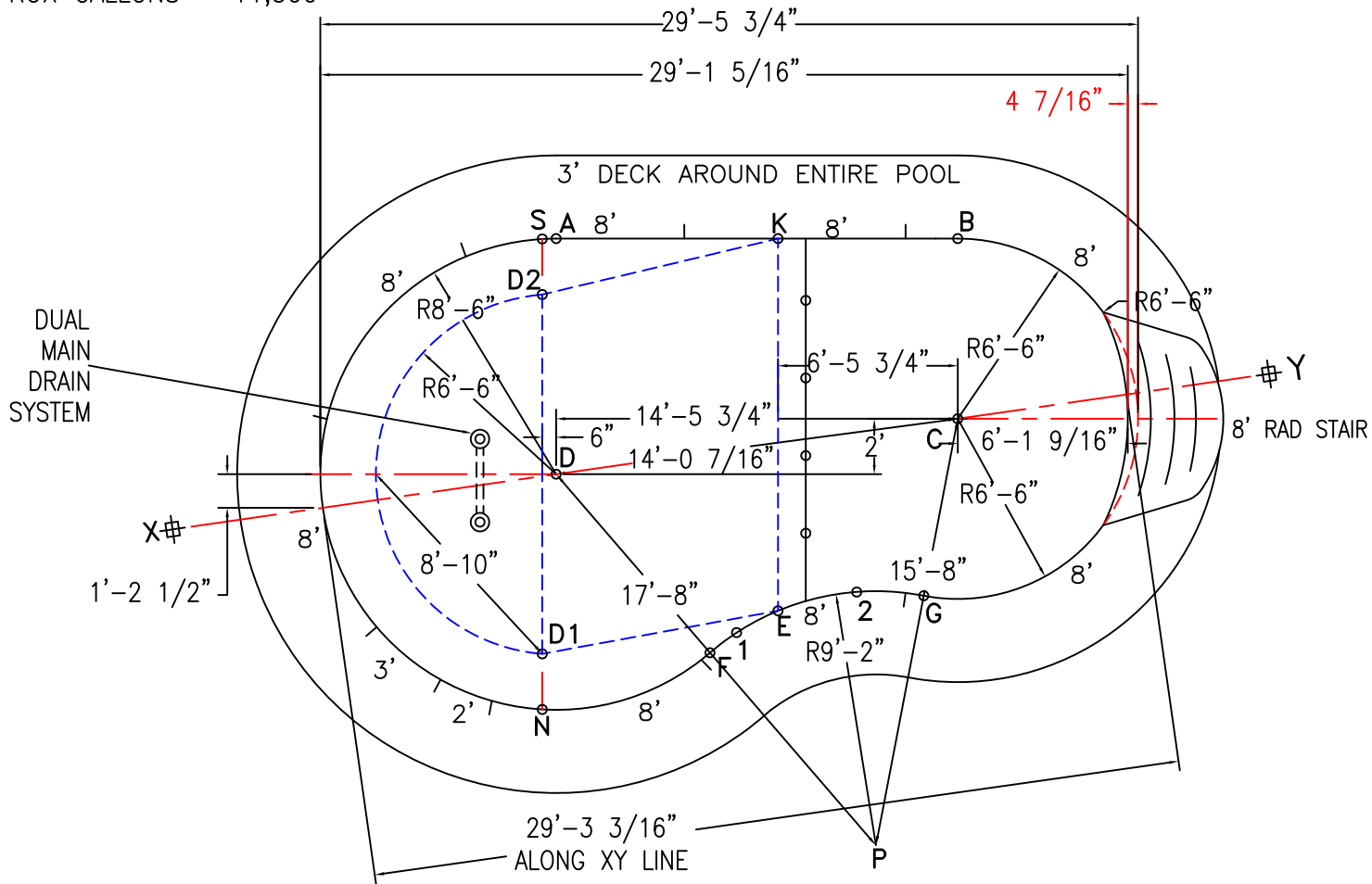
NAME \_\_\_\_\_  
 LINER CHOICE \_\_\_\_\_  
 DATE \_\_\_\_\_  
 CUSTOMER \_\_\_\_\_

NOTES:

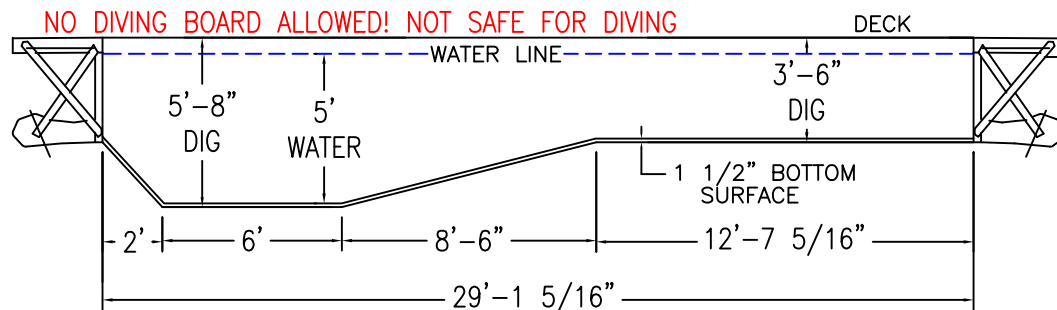
1. X-BRACES ON MAXIMUM 4'-0" SPACING
2. SAFETY LINE MUST BE 12" IN FRONT OF BREAK IF SLOPE IS LESS THAN 7' TO 1' PITCH
3. DUAL MAIN DRAIN SYSTEM SHOULD BE INSTALLED IN ACCORDANCE TO FOX POOLS RECOMMENDATION.
4. NO DIVING BOARD ALLOWED! NOT SAFE FOR DIVING
5. INSTALLATION TO BE IN ACCORDANCE WITH FOX POOL RECOMMENDATIONS

FOX POOL	
TITLE 1729 PROMO KIDNEY 5' w.8' RAD STAIR CENT.	
DATE 9/28/23	TYPE 0
DWG. NO. 02-1757	SCALE NONE
DRW. BY S.SHOCKNEY	

TRUE PERIMETER - 77'  
 SWIM AREA SQFT - 388  
 APPROX GALLONS - 11,300



- C-K = 9'-2 1/8"
- C-A = 15'-10 1/2"
- C-F = 12'-3 1/2"
- C-E = 9'-5 3/4"
- D-K = 11'-8 1/16"
- D-B = 16'-9 1/2"
- D-G = 13'-11 9/16"
- D-E = 9'-4 3/4"
- E-K = 13'-5 1/8"
- C-1 = 10'-8 1/8"
- C-2 = 7'-2 13/16"
- D-1 = 8'-7 7/8"
- D-2 = 11'-7 11/16"
- C-D1 = 17'-2 1/2"
- C-D2 = 15'-7 5/8"
- C-N = 18'-3 1/2"
- C-S = 16'-3 7/8"



DRAWING MUST BE APPROVED  
AND SIGNED BEFORE ORDER  
WILL BE PLACED

NAME \_\_\_\_\_  
 LINER CHOICE \_\_\_\_\_  
 DATE \_\_\_\_\_  
 CUSTOMER \_\_\_\_\_

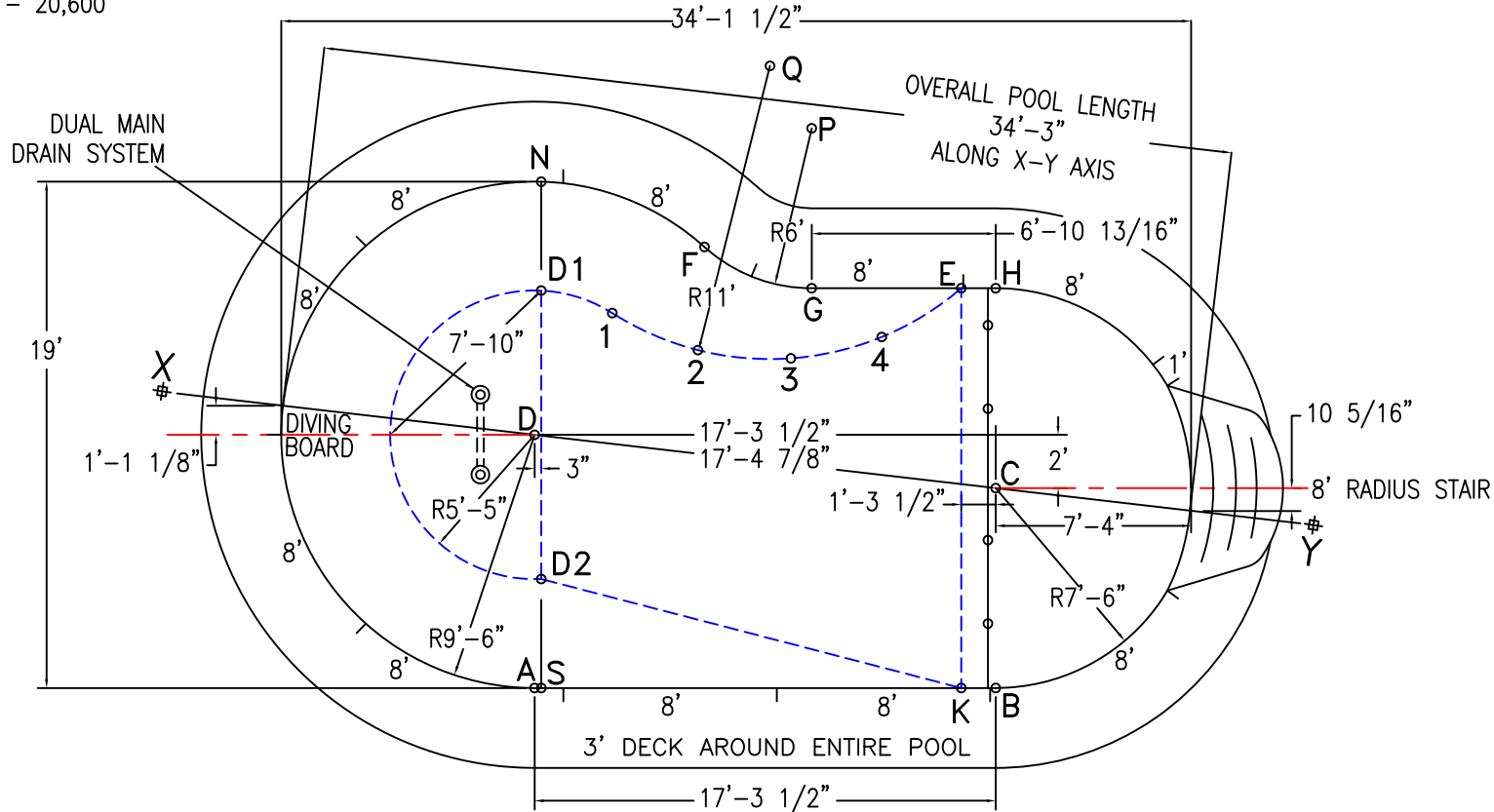
NOTES:

1. X-BRACES ON MAXIMUM 4'-0" SPACING
2. SAFETY LINE MUST BE 12" IN FRONT OF BREAK IF SLOPE IS LESS THAN 7' TO 1' PITCH
3. DUAL MAIN DRAIN SYSTEM SHOULD BE INSTALLED IN ACCORDANCE TO FOX POOLS RECOMMENDATION.
4. NO DIVING BOARD ALLOWED! NOT SAFE FOR DIVING
5. INSTALLATION TO BE IN ACCORDANCE WITH FOX POOL RECOMMENDATIONS

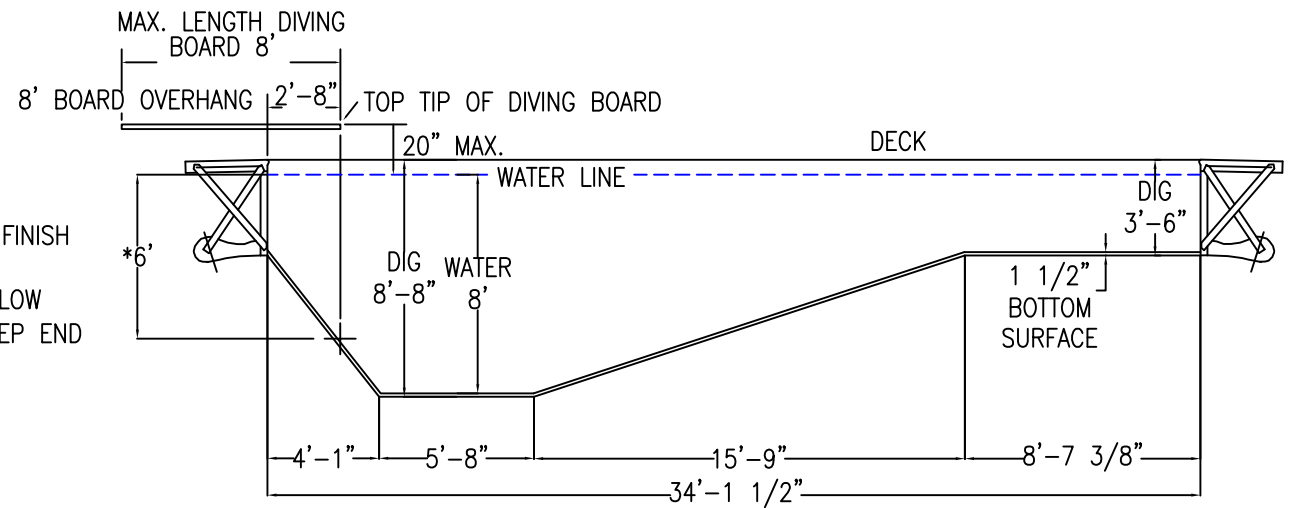
© ALL RIGHTS RESERVED

FOX POOL	
TITLE 1729 PROMO KIDNEY REV 5' w.8' RAD STAIR CENT.	
DATE 9/28/23	TYPE 0
DWG. NO. 02-1758	SCALE NONE
DRW. BY S.SHOCKNEY	

TRUE PERIMETER - 89'  
 SWIM AREA SQFT - 512  
 APPROX GALLONS - 20,600



- C-A = 18'-10 3/16"
- C-K = 7'-7 5/16"
- C-E = 7'-7 5/16"
- C-G = 10'-2 5/16"
- C-F = 14'-2 3/16"
- C-P = 15'-2"
- C-Q = 17'-11 1/2"
- D-G = 11'-9 1/8"
- D-E = 16'-11"
- D-H = 18'-1 3/4"
- D-B = 19'-8 3/4"
- D-K = 18'-7 5/16"
- D-P = 15'-6"
- D-Q = 16'-5"
- C-1 = 15'-9 11/16"
- C-2 = 12'-3 11/16"
- C-3 = 9'-1 1/8"
- C-4 = 7'-1 3/16"
- D-1 = 5'-5"
- D-2 = 6'-10 13/16"
- D-3 = 10'-0 3/8"
- D-4 = 13'-6 5/16"
- C-N = 20'-6 11/16"
- C-S = 18'-7 7/16"
- C-D1 = 18'-7"
- C-D2 = 17'-4 9/16"
- E-K = 15'



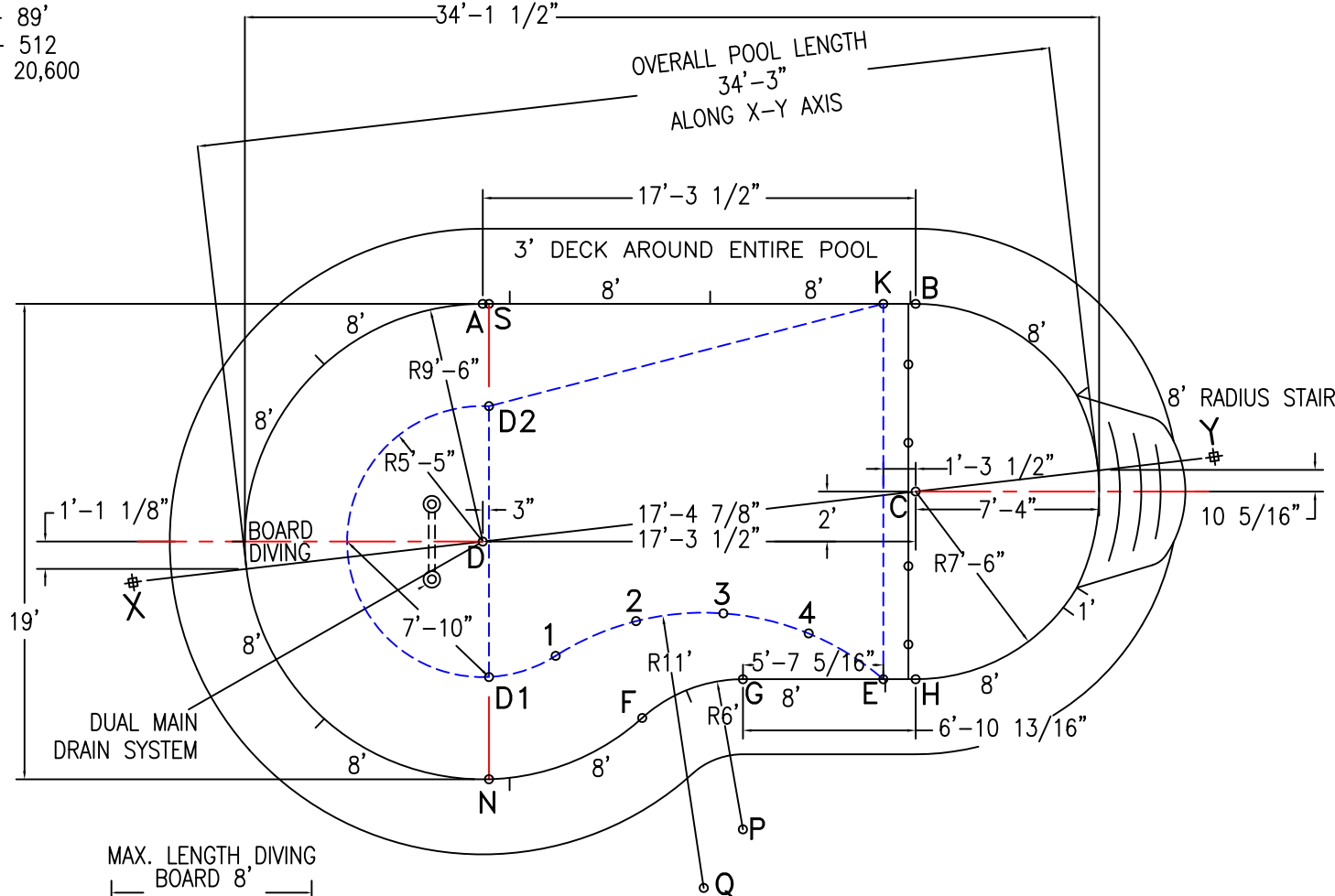
DRAWING MUST BE APPROVED AND SIGNED BEFORE ORDER WILL BE PLACED FOR ALL SPECIAL ORDERS.

DEALER \_\_\_\_\_  
 LINER CHOICE \_\_\_\_\_  
 DATE \_\_\_\_\_  
 CUSTOMER \_\_\_\_\_

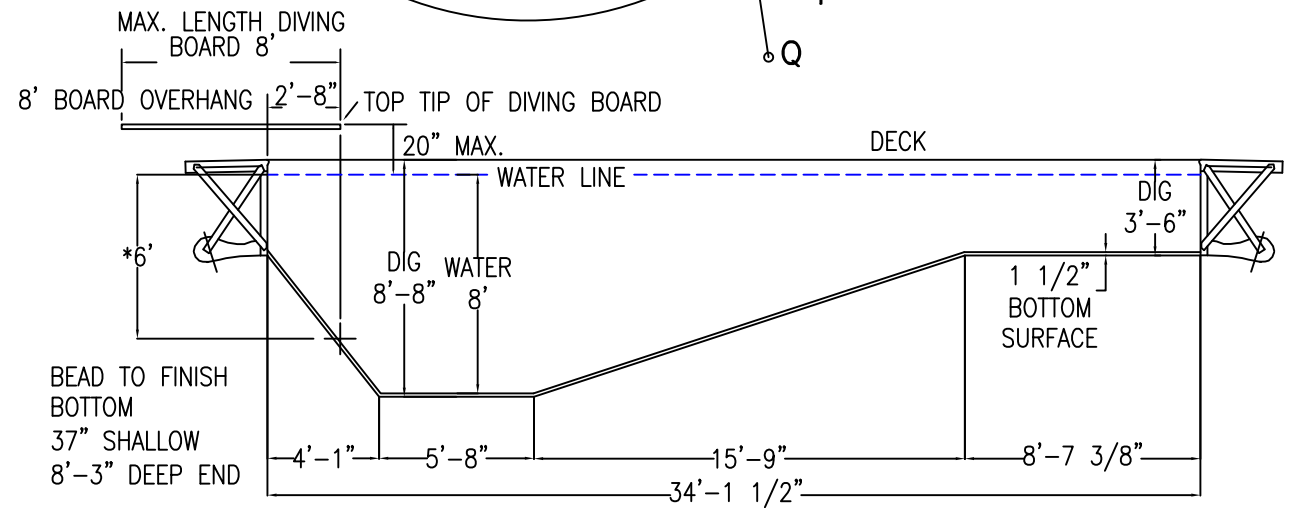
- NOTES:
1. X-BRACES ON MAXIMUM 4'-0" SPACING
  2. SAFETY LINE MUST BE 12" IN FRONT OF BREAK IF SLOPE IS LESS THAN 7' TO 1' PITCH
  3. DUAL MAIN DRAIN SYSTEM SHOULD BE INSTALLED IN ACCORDANCE TO FOX POOLS RECOMMENDATION.
  4. INSTALLATION TO BE IN ACCORDANCE WITH FOX POOL RECOMMENDATIONS
  5. **\*IMPORTANT 6' MINIMUM DEPTH UNDER DIVING BOARD**

FOX POOL	
TITLE 1934 PROMO KIDNEY w. 8' RAD STAIR CENT.	
DATE 9/28/23	TYPE II
DWG. NO. 02-1759	SCALE NONE
DRW. BY S.SHOCKNEY	

TRUE PERIMETER - 89'  
 SWIM AREA SQFT - 512  
 APPROX GALLONS - 20,600



- C-A = 18'-10 3/16"
- C-K = 7'-7 5/16"
- C-E = 7'-7 5/16"
- C-G = 10'-2 5/16"
- C-F = 14'-2 3/16"
- C-P = 15'-2"
- C-Q = 17'-11 1/2"
- D-G = 11'-9 1/8"
- D-E = 16'-11"
- D-H = 18'-1 3/4"
- D-B = 19'-8 3/4"
- D-K = 18'-7 5/16"
- D-P = 15'-6"
- D-Q = 16'-5"
- C-1 = 15'-9 11/16"
- C-2 = 12'-3 11/16"
- C-3 = 9'-1 1/8"
- C-4 = 7'-1 3/16"
- D-1 = 5'-5"
- D-2 = 6'-10 13/16"
- D-3 = 10'-0 3/8"
- D-4 = 13'-6 5/16"
- C-N = 20'-6 11/16"
- C-S = 18'-7 7/16"
- C-D1 = 18'-7"
- C-D2 = 17'-4 9/16"
- E-K = 15'



DRAWING MUST BE APPROVED AND SIGNED BEFORE ORDER WILL BE PLACED FOR ALL SPECIAL ORDERS.

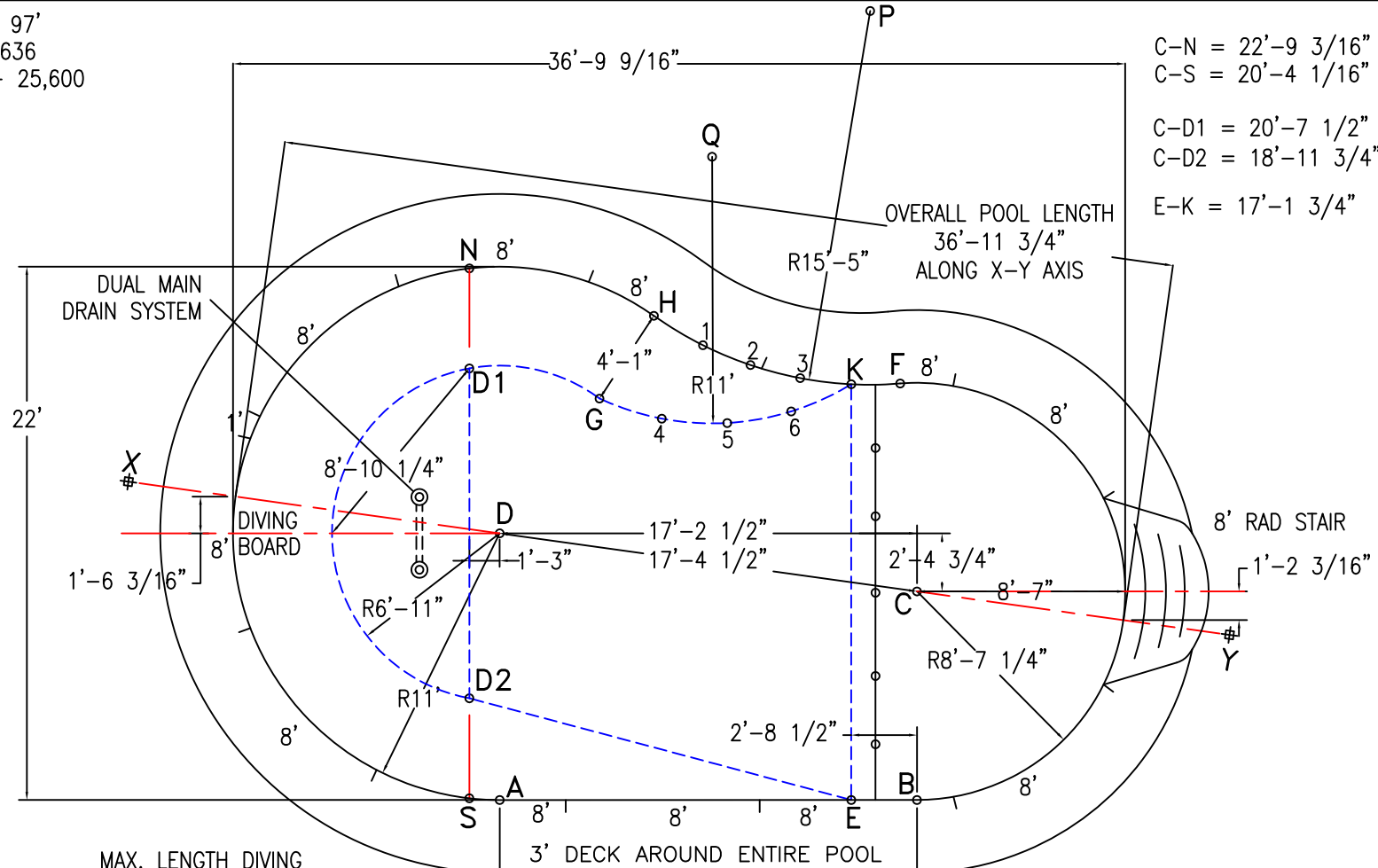
DEALER \_\_\_\_\_  
 LINER CHOICE \_\_\_\_\_  
 DATE \_\_\_\_\_  
 CUSTOMER \_\_\_\_\_

- NOTES:
1. X-BRACES ON MAXIMUM 4'-0" SPACING
  2. SAFETY LINE MUST BE 12" IN FRONT OF BREAK IF SLOPE IS LESS THAN 7' TO 1' PITCH
  3. DUAL MAIN DRAIN SYSTEM SHOULD BE INSTALLED IN ACCORDANCE TO FOX POOLS RECOMMENDATION.
  4. INSTALLATION TO BE IN ACCORDANCE WITH FOX POOL RECOMMENDATIONS
  5. \*IMPORTANT 6' MINIMUM DEPTH UNDER DIVING BOARD

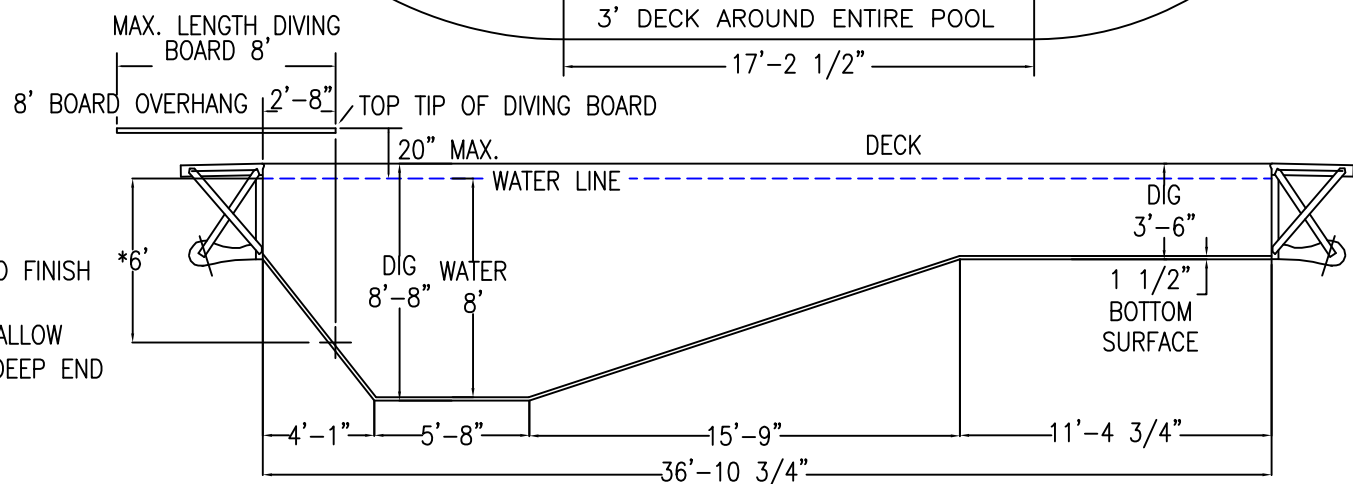
FOX POOL	
TITLE 1934 PROMO KIDNEY REV w. 8' RAD STAIR CENT.	
DATE 9/28/23	TYPE II
DWG. NO. 02-1760	SCALE NONE
DRW. BY S.SHOCKNEY	



TRUE PERIMETER - 97'  
 SWIM AREA SQFT- 636  
 APPROX GALLONS - 25,600



- C-N = 22'-9 3/16"
- C-S = 20'-4 1/16"
- C-D1 = 20'-7 1/2"
- C-D2 = 18'-11 3/4"
- E-K = 17'-1 3/4"
- D-E = 18'-2 3/8"
- D-B = 20'-5 1/8"
- D-F = 17'-7 5/8"
- D-K = 15'-9"
- D-P = 26'-5"
- D-G = 6'-11"
- D-Q = 17'-10"
- C-A = 19'-2 7/8"
- C-E = 9'-0 1/4"
- C-K = 8'-11 9/16"
- C-H = 15'-8 5/8"
- C-G = 15'-3 13/16"
- C-P = 24'-0 1/4"
- C-Q = 19'-9 7/8"
- C-1 = 13'-5 7/16"
- C-2 = 11'-7 1/8"
- C-3 = 10'-0 3/8"
- C-4 = 12'-8 1/2"
- C-5 = 10'-5 1/2"
- C-6 = 9'-0 1/4"
- D-1 = 11'-5"
- D-2 = 12'-5 1/2"
- D-3 = 13'-11 1/2"
- D-4 = 8'-2 1/8"
- D-5 = 10'-5"
- D-6 = 13'-0 3/8"



DRAWING MUST BE APPROVED AND SIGNED BEFORE ORDER WILL BE PLACED FOR ALL SPECIAL ORDERS.

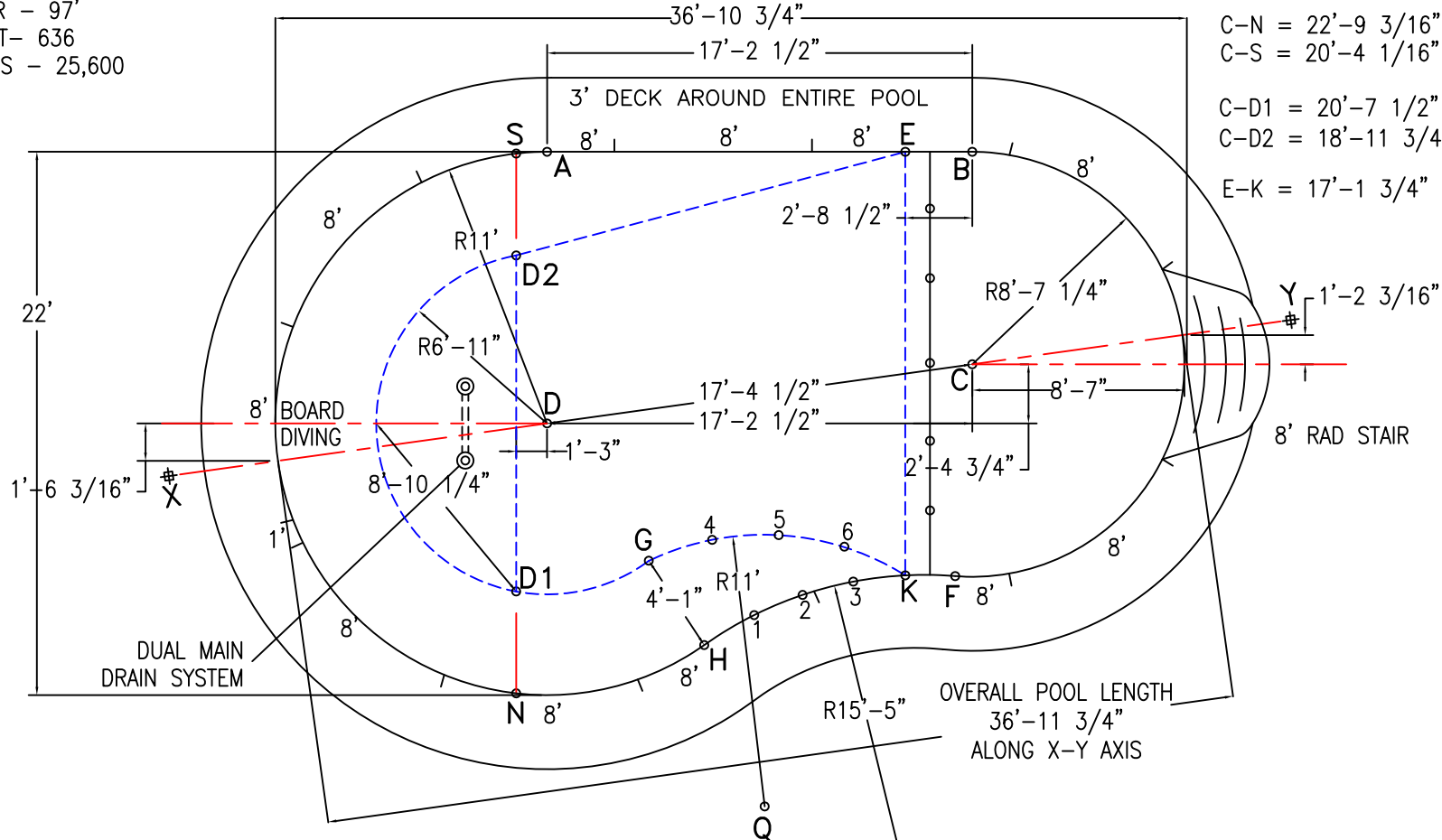
DEALER \_\_\_\_\_  
 LINER CHOICE \_\_\_\_\_  
 DATE \_\_\_\_\_  
 CUSTOMER \_\_\_\_\_

FOX POOL	
TITLE 2237 PROMO KIDNEY w. 8' RAD STAIR CENT.	
DATE 9/28/23	TYPE II
DWG. NO. 02-1761	SCALE NONE
DRW. BY S. SHOCKNEY	

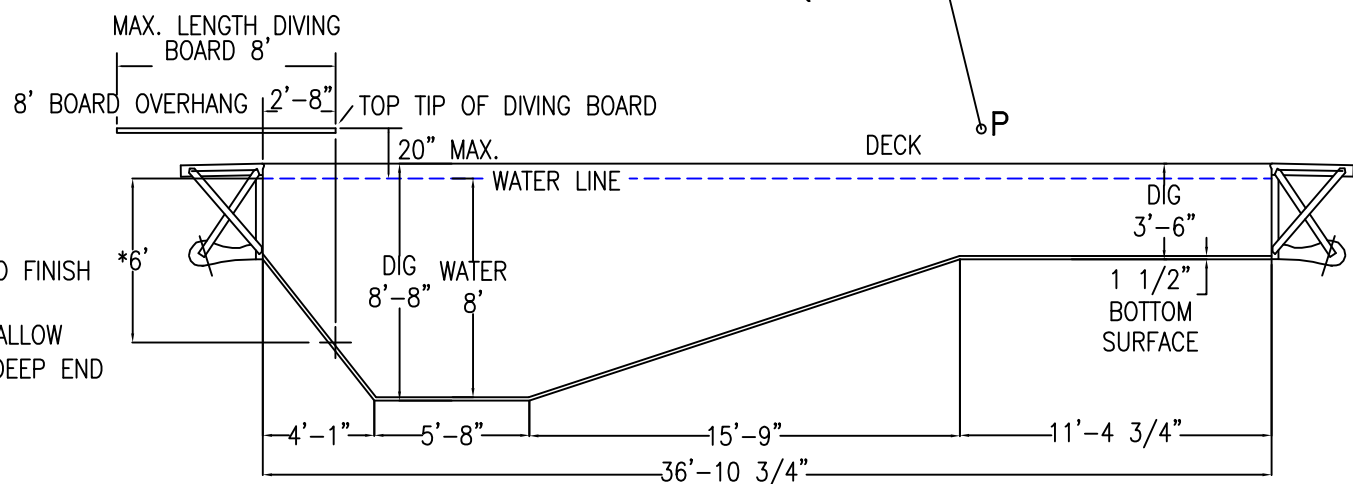
- NOTES:
- X-BRACES ON MAXIMUM 4'-0" SPACING
  - SAFETY LINE MUST BE 12" IN FRONT OF BREAK IF SLOPE IS LESS THAN 7' TO 1' PITCH
  - DUAL MAIN DRAIN SYSTEM SHOULD BE INSTALLED IN ACCORDANCE TO FOX POOLS RECOMMENDATION.
  - INSTALLATION TO BE IN ACCORDANCE WITH FOX POOL RECOMMENDATIONS
  - \*IMPORTANT 6' MINIMUM DEPTH UNDER DIVING BOARD**

©ALL RIGHTS RESERVED

TRUE PERIMETER - 97'  
 SWIM AREA SQFT - 636  
 APPROX GALLONS - 25,600



- C-N = 22'-9 3/16"
- C-S = 20'-4 1/16"
- C-D1 = 20'-7 1/2"
- C-D2 = 18'-11 3/4"
- E-K = 17'-1 3/4"
- D-E = 18'-2 3/8"
- D-B = 20'-5 1/8"
- D-F = 17'-7 5/8"
- D-K = 15'-9"
- D-P = 26'-5"
- D-G = 6'-11"
- D-Q = 17'-10"
- C-A = 19'-2 7/8"
- C-E = 9'-0 1/4"
- C-K = 8'-11 9/16"
- C-H = 15'-8 5/8"
- C-G = 15'-3 13/16"
- C-P = 24'-0 1/4"
- C-Q = 19'-9 7/8"
- C-1 = 13'-5 7/16"
- C-2 = 11'-7 1/8"
- C-3 = 10'-0 3/8"
- C-4 = 12'-8 1/2"
- C-5 = 10'-5 1/2"
- C-6 = 9'-0 1/4"
- D-1 = 11'-5"
- D-2 = 12'-5 1/2"
- D-3 = 13'-11 1/2"
- D-4 = 8'-2 1/8"
- D-5 = 10'-5"
- D-6 = 13'-0 3/8"



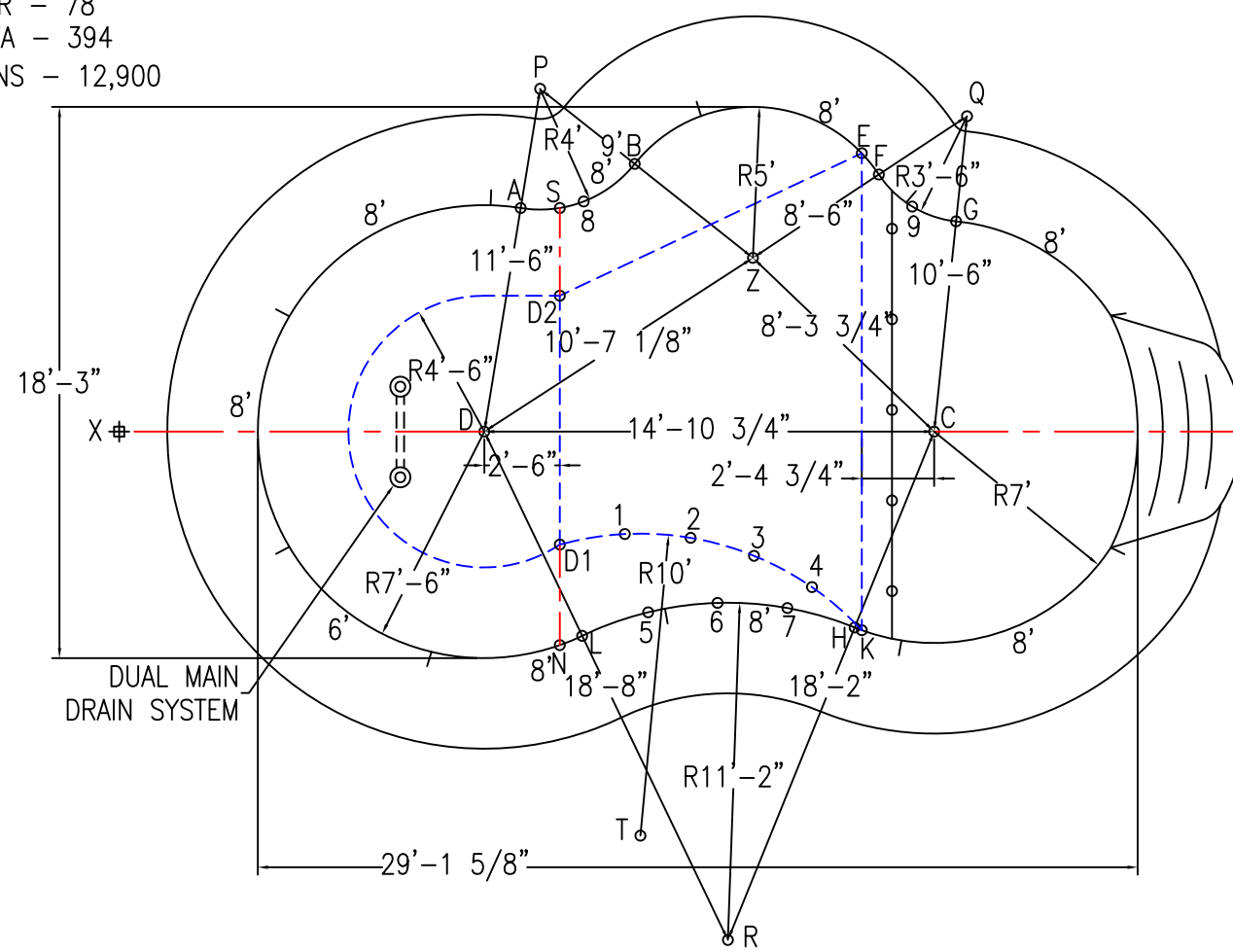
DRAWING MUST BE APPROVED AND SIGNED BEFORE ORDER WILL BE PLACED FOR ALL SPECIAL ORDERS.

DEALER \_\_\_\_\_  
 LINER CHOICE \_\_\_\_\_  
 DATE \_\_\_\_\_  
 CUSTOMER \_\_\_\_\_

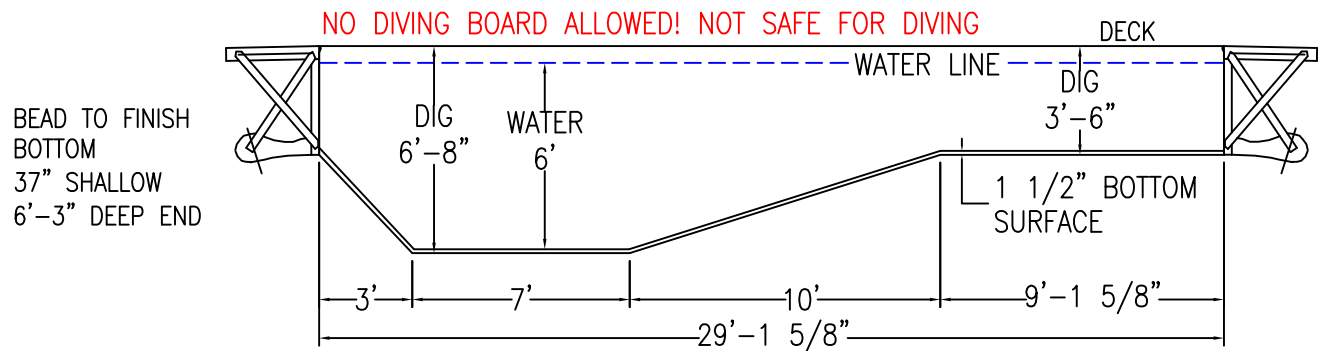
- NOTES:
1. X-BRACES ON MAXIMUM 4'-0" SPACING
  2. SAFETY LINE MUST BE 12" IN FRONT OF BREAK IF SLOPE IS LESS THAN 7' TO 1' PITCH
  3. DUAL MAIN DRAIN SYSTEM SHOULD BE INSTALLED IN ACCORDANCE TO FOX POOLS RECOMMENDATION.
  4. INSTALLATION TO BE IN ACCORDANCE WITH FOX POOL RECOMMENDATIONS
  5. **\*IMPORTANT 6' MINIMUM DEPTH UNDER DIVING BOARD**

FOX POOL	
TITLE 2237 PROMO KIDNEY REV w. 8' RAD STAIR CENT.	
DATE 9/28/23	TYPE II
DWG. NO. 02-1762	SCALE NONE
DRW. BY S. SHOCKNEY	

TRUE PERIMETER - 78'  
 SQFT SWIM AREA - 394  
 APPROX GALLONS - 12,900



- C-N = 16'-3 1/4" D-B = 10'-2"
- C-S = 14'-5 1/4" D-E = 15'-6 3/8"
- D-F = 15'-7 1/8"
- C-D1 = 12'-11 3/8" D-G = 17'-1 1/4"
- C-D2 = 13'-2 1/4" D-H = 13'-10 1/2"
- D-D2 = 5'-1 3/4" D-K = 14'-1 1/2"
- C-T = 16'-6 1/2" C-A = 15'-6 3/4"
- D-T = 14'-4 1/8" C-B = 13'-3 9/16"
- C-E = 9'-6 5/16"
- D1-D2 = 8'-2 7/8" C-F = 8'-8 1/2"
- C-K = 7'
- C-L = 13'-5 11/16"
- Z-A = 7'-10 3/8"
- Z-G = 6'-10"
- E-K = 15'-9 9/16"
- C-1 = 10'-9 1/2" D-1 = 5'-9 1/8"
- C-2 = 8'-9 9/16" D-2 = 7'-8 3/16"
- C-3 = 7'-2 15/16" D-3 = 9'-10"
- C-4 = 6'-6 9/16" D-4 = 12'-0 1/8"
- C-5 = 11'-2 7/16" D-5 = 8'-0 15/16"
- C-6 = 9'-1 3/4" D-6 = 9'-7"
- C-7 = 7'-7 3/16" D-7 = 11'-7 3/8"
- C-8 = 13'-10 9/16" D-8 = 8'-3 5/8"
- C-9 = 7'-5 13/16" D-9 = 16'-0 1/8"



**DRAWING MUST BE APPROVED AND SIGNED BEFORE ORDER WILL BE PLACED**

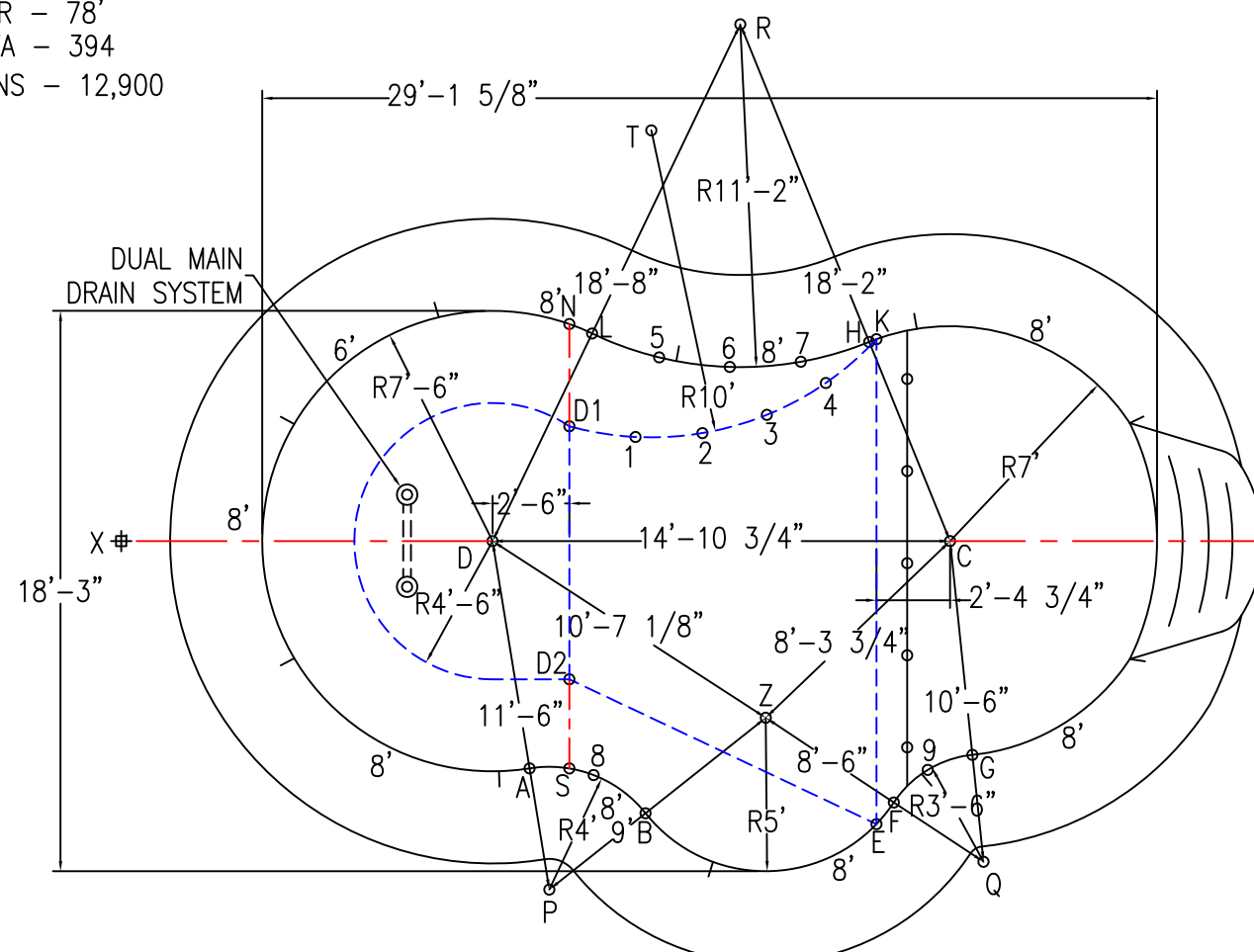
NAME \_\_\_\_\_  
 LINER CHOICE \_\_\_\_\_  
 DATE \_\_\_\_\_  
 CUSTOMER \_\_\_\_\_

- NOTES:
1. X-BRACES ON MAXIMUM 4'-0" SPACING
  2. SAFETY LINE MUST BE 12" IN FRONT OF BREAK IF SLOPE IS LESS THAN 7' to 1' PITCH
  3. DUAL MAIN DRAIN SYSTEM SHOULD BE INSTALLED IN ACCORDANCE TO FOX POOLS RECOMMENDATION.
  4. **NO DIVING BOARD ALLOWED! NOT SAFE FOR DIVING**
  5. INSTALLATION TO BE IN ACCORDANCE WITH FOX POOL RECOMMENDATIONS

© ALL RIGHTS RESERVED

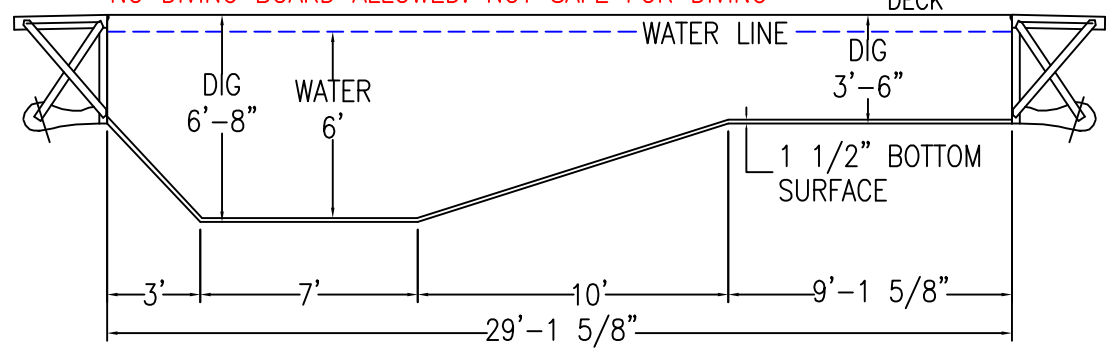
FOX POOL	
TITLE 1829 PROMO LAG LT 6' w.8' RAD STAIR CENT.	
DATE 9/28/23	TYPE 0
DWG. NO. 02-1755	SCALE NONE
DRW. BY S.SHOCKNEY	

TRUE PERIMETER - 78'  
 SQFT SWIM AREA - 394  
 APPROX GALLONS - 12,900



- C-N = 16'-3 1/4" D-B = 10'-2"
- C-S = 14'-5 1/4" D-E = 15'-6 3/8"
- D-F = 15'-7 1/8"
- C-D1 = 12'-11 3/8" D-G = 17'-1 1/4"
- C-D2 = 13'-2 1/4" D-H = 13'-10 1/2"
- D-D2 = 5'-1 3/4" D-K = 14'-1 1/2"
- C-T = 16'-6 1/2" C-A = 15'-6 3/4"
- D-T = 14'-4 1/8" C-B = 13'-3 9/16"
- C-E = 9'-6 5/16"
- D1-D2 = 8'-2 7/8" C-F = 8'-8 1/2"
- C-K = 7'
- C-L = 13'-5 11/16"
- Z-A = 7'-10 3/8"
- Z-G = 6'-10"
- E-K = 15'-9 9/16"
- C-1 = 10'-9 1/2" D-1 = 5'-9 1/8"
- C-2 = 8'-9 9/16" D-2 = 7'-8 3/16"
- C-3 = 7'-2 15/16" D-3 = 9'-10"
- C-4 = 6'-6 9/16" D-4 = 12'-0 1/8"
- C-5 = 11'-2 7/16" D-5 = 8'-0 15/16"
- C-6 = 9'-1 3/4" D-6 = 9'-7"
- C-7 = 7'-7 3/16" D-7 = 11'-7 3/8"
- C-8 = 13'-10 9/16" D-8 = 8'-3 5/8"
- C-9 = 7'-5 13/16" D-9 = 16'-0 1/8"

**NO DIVING BOARD ALLOWED! NOT SAFE FOR DIVING**



BEAD TO FINISH  
 BOTTOM  
 37" SHALLOW  
 6'-3" DEEP END

**DRAWING MUST BE APPROVED  
 AND SIGNED BEFORE ORDER  
 WILL BE PLACED**

NAME \_\_\_\_\_  
 LINER CHOICE \_\_\_\_\_  
 DATE \_\_\_\_\_  
 CUSTOMER \_\_\_\_\_

**NOTES:**

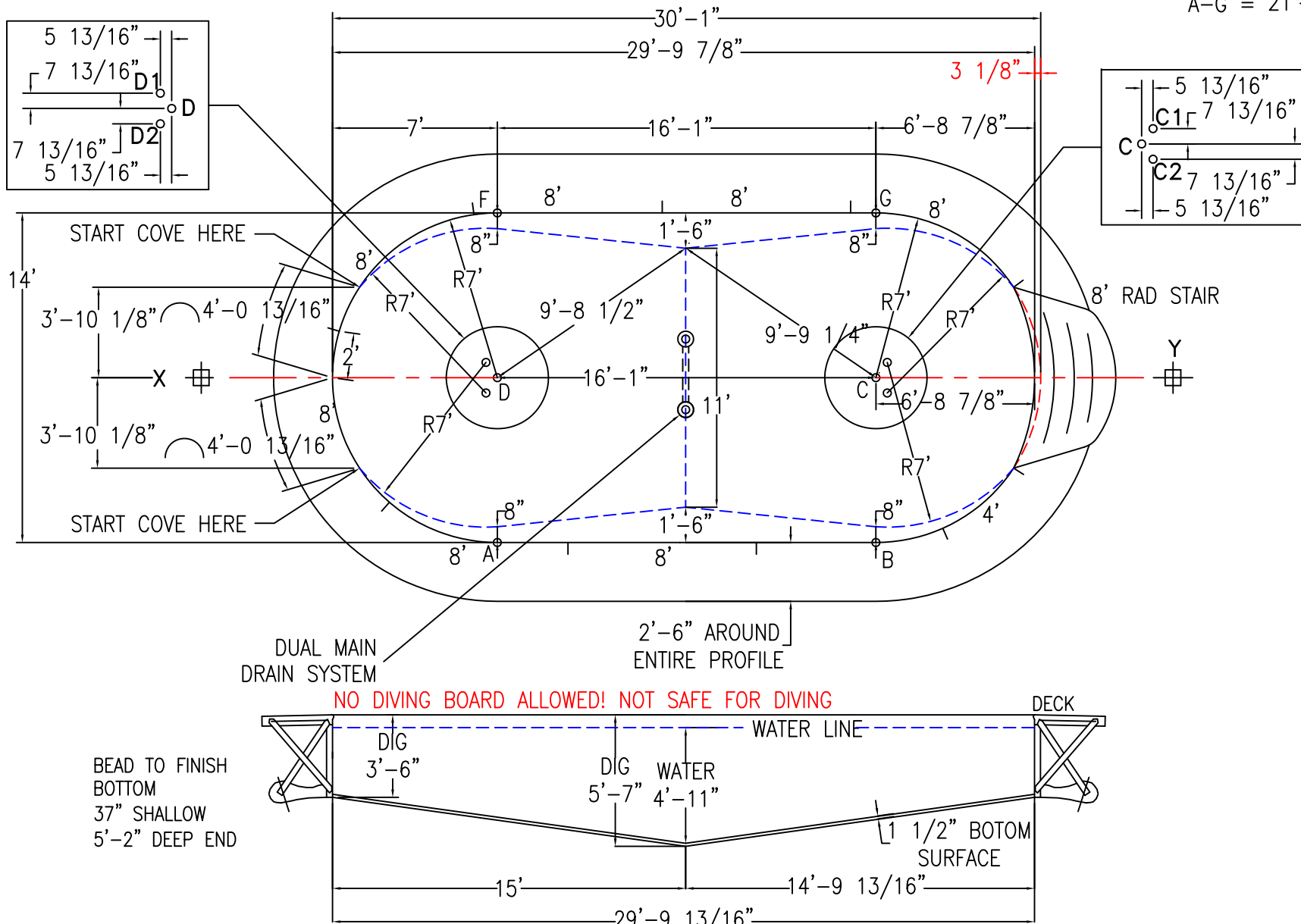
1. X-BRACES ON MAXIMUM 4'-0" SPACING
2. SAFETY LINE MUST BE 12" IN FRONT OF BREAK IF SLOPE IS LESS THAN 7' to 1' PITCH
3. DUAL MAIN DRAIN SYSTEM SHOULD BE INSTALLED IN ACCORDANCE TO FOX POOLS RECOMMENDATION.
4. **NO DIVING BOARD ALLOWED! NOT SAFE FOR DIVING**
5. INSTALLATION TO BE IN ACCORDANCE WITH FOX POOL RECOMMENDATIONS

© ALL RIGHTS RESERVED

FOX POOL	
TITLE 1829 PROMO LAG RT 6' w.8' RAD STAIR CENT.	
DATE 9/28/23	TYPE 0
DWG. NO. 02-1756	SCALE NONE
DRW. BY S.SHOCKNEY	

TRUE PERIMETER - 76'  
 SQFT SWIM AREA - 378  
 APPROX GALLONS - 10,900

C-A/F = 17'-5 1/2"  
 D-B/G = 17'-5 1/2"  
 A-G = 21'-3 1/8"

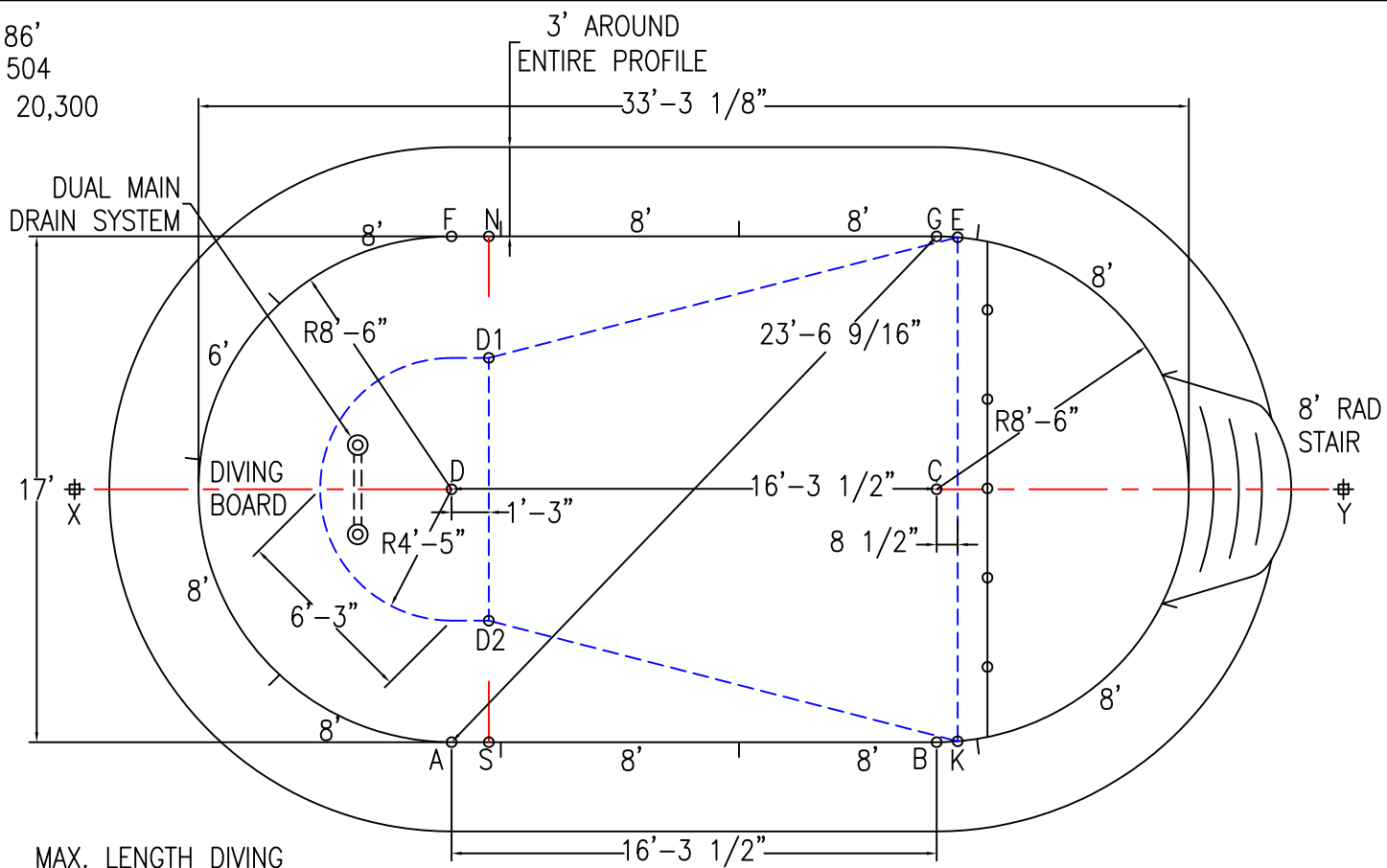


- NOTES:
1. X-BRACES ON MAXIMUM 4'-0" SPACING
  2. SAFETY LINE MUST BE 12" IN FRONT OF BREAK IF SLOPE IS LESS THAN 7' to 1' PITCH
  3. DUAL MAIN DRAIN SYSTEM SHOULD BE INSTALLED IN ACCORDANCE TO FOX POOLS RECOMMENDATION.
  4. NO DIVING BOARD ALLOWED! NOT SAFE FOR DIVING
  5. INSTALLATION TO BE IN ACCORDANCE WITH FOX POOL RECOMMENDATIONS

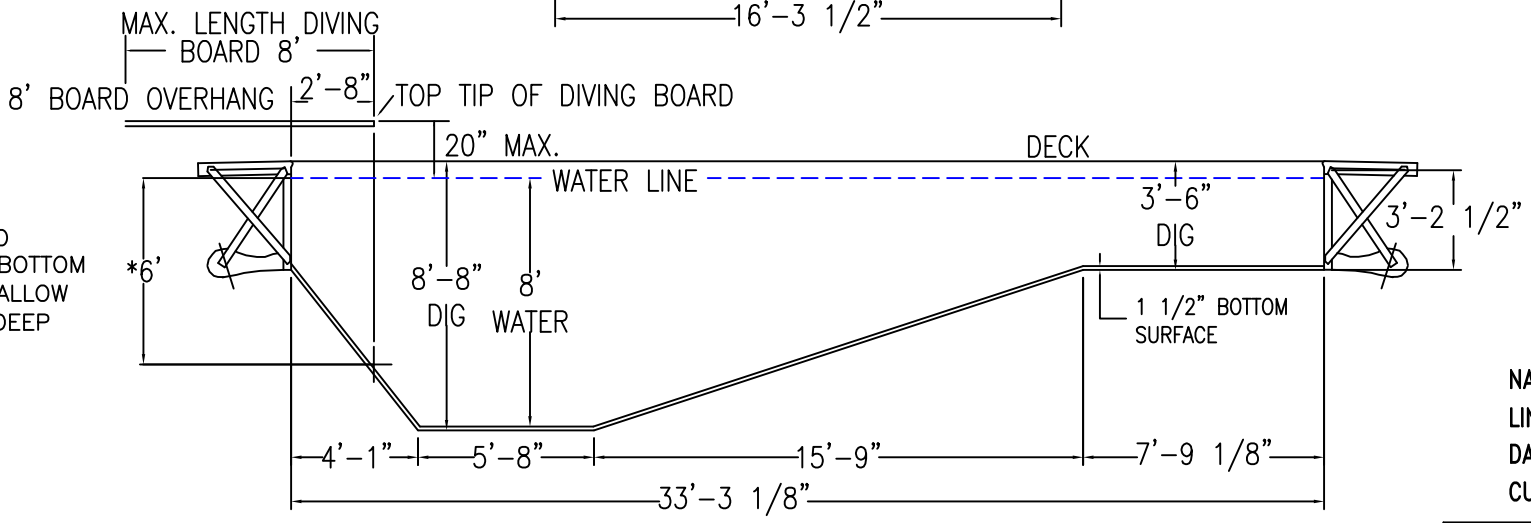
©ALL RIGHTS RESERVED

FOX POOL	
TITLE 1430 PROMO OVAL SPT. w. 8' RAD STAIR CENT.	
DATE 9/28/23	TYPE 0
DWG. NO. 02-1767	SCALE NONE
DRW. BY S.SHOCKNEY	

TRUE PERIMETER - 86'  
 SQFT SWIM AREA - 504  
 APPROX GALLONS - 20,300



C-A/F = 23'-6 9/16"  
 C-D1 = 15'-8 1/8"  
 C-D2 = 15'-8 1/8"  
 C-N/S = 17'-3 1/4"  
 E-K = 16'-11 5/16"  
 D-B/G = 18'-4 1/2"  
 D-E/K = 18'-11 15/16"



DRAWING MUST BE APPROVED AND SIGNED BEFORE ORDER WILL BE PLACED

NAME \_\_\_\_\_  
 LINER CHOICE \_\_\_\_\_  
 DATE \_\_\_\_\_  
 CUSTOMER \_\_\_\_\_

- NOTES:
1. X-BRACES ON MAXIMUM 4'-0" SPACING
  2. SAFETY LINE MUST BE 12" IN FRONT OF BREAK IF SLOPE IS LESS THAN 7' TO 1' PITCH
  3. DUAL MAIN DRAIN SYSTEM SHOULD BE INSTALLED IN ACCORDANCE TO FOX POOLS RECOMMENDATION.
  4. INSTALLATION TO BE IN ACCORDANCE WITH FOX POOL RECOMMENDATIONS
  5. **\*IMPORTANT 6' MINIMUM DEPTH UNDER DIVING BOARD**

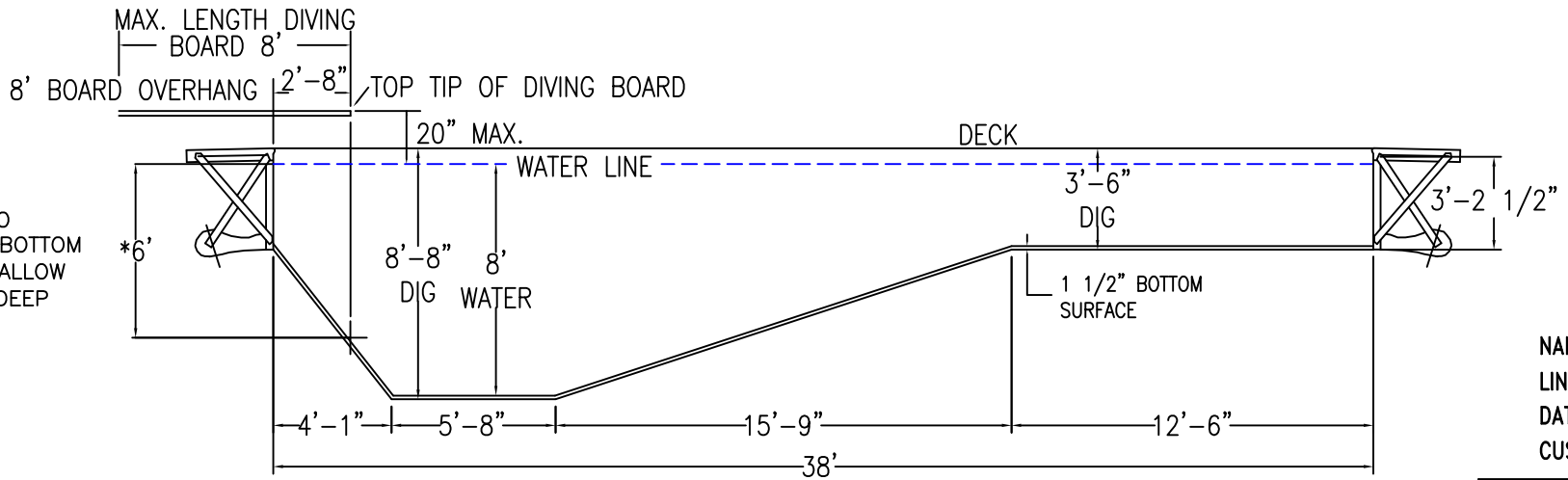
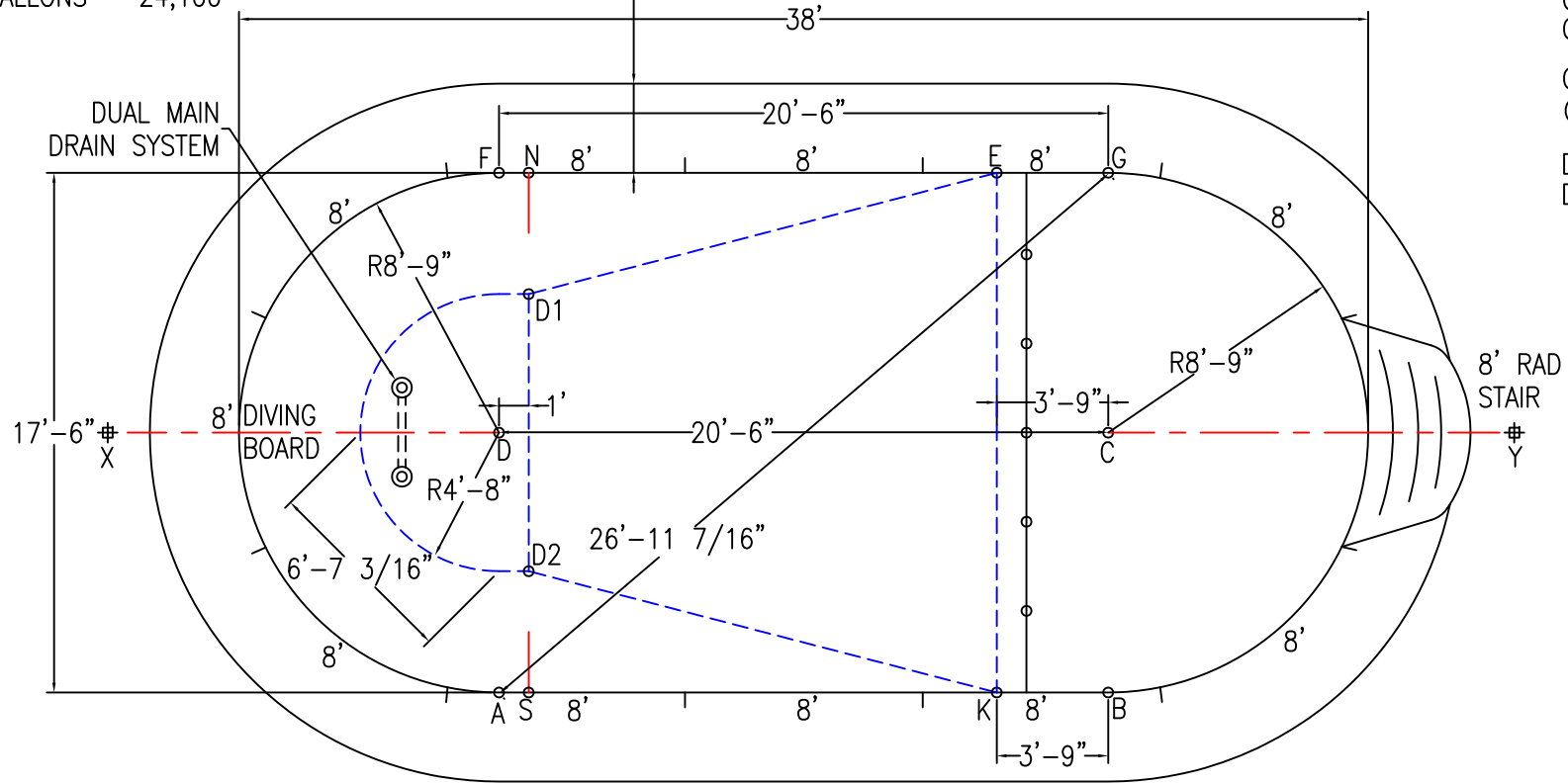
© ALL RIGHTS RESERVED

FOX POOL	
TITLE 1733 PROMO OVAL 8' w. 8' RADIUS STAIR CENT.	
DATE 9/28/23	TYPE II
DWG. NO. 02-1768	SCALE NONE
DRW. BY S.SHOCKNEY	

TRUE PERIMETER - 96'  
 SQFT SWIM AREA - 599  
 APPROX GALLONS - 24,100

3' AROUND  
 ENTIRE PROFILE

C-A/F = 22'-3 1/2"  
 C-D1 = 20'-0 5/8"  
 C-D2 = 20'-0 5/8"  
 C-E/K = 9'-6 1/4"  
 C-N/S = 21'-4 1/2"  
 D-B/G = 22'-3 1/2"  
 D-E/K = 18'-10 3/4"



DRAWING MUST BE APPROVED  
 AND SIGNED BEFORE ORDER  
 WILL BE PLACED

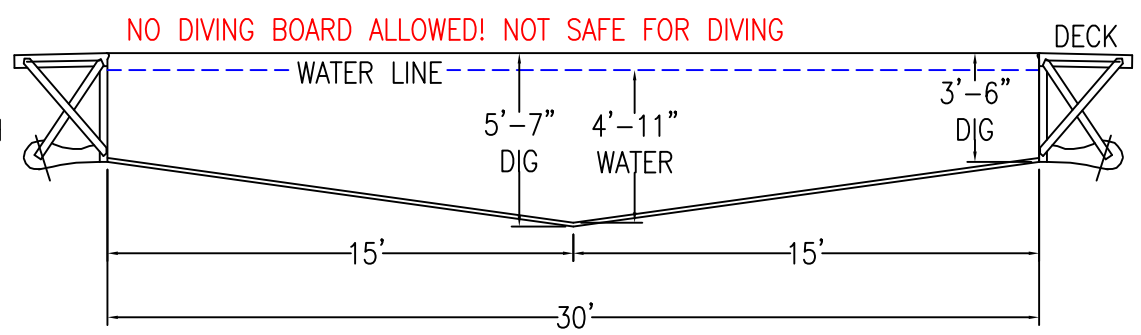
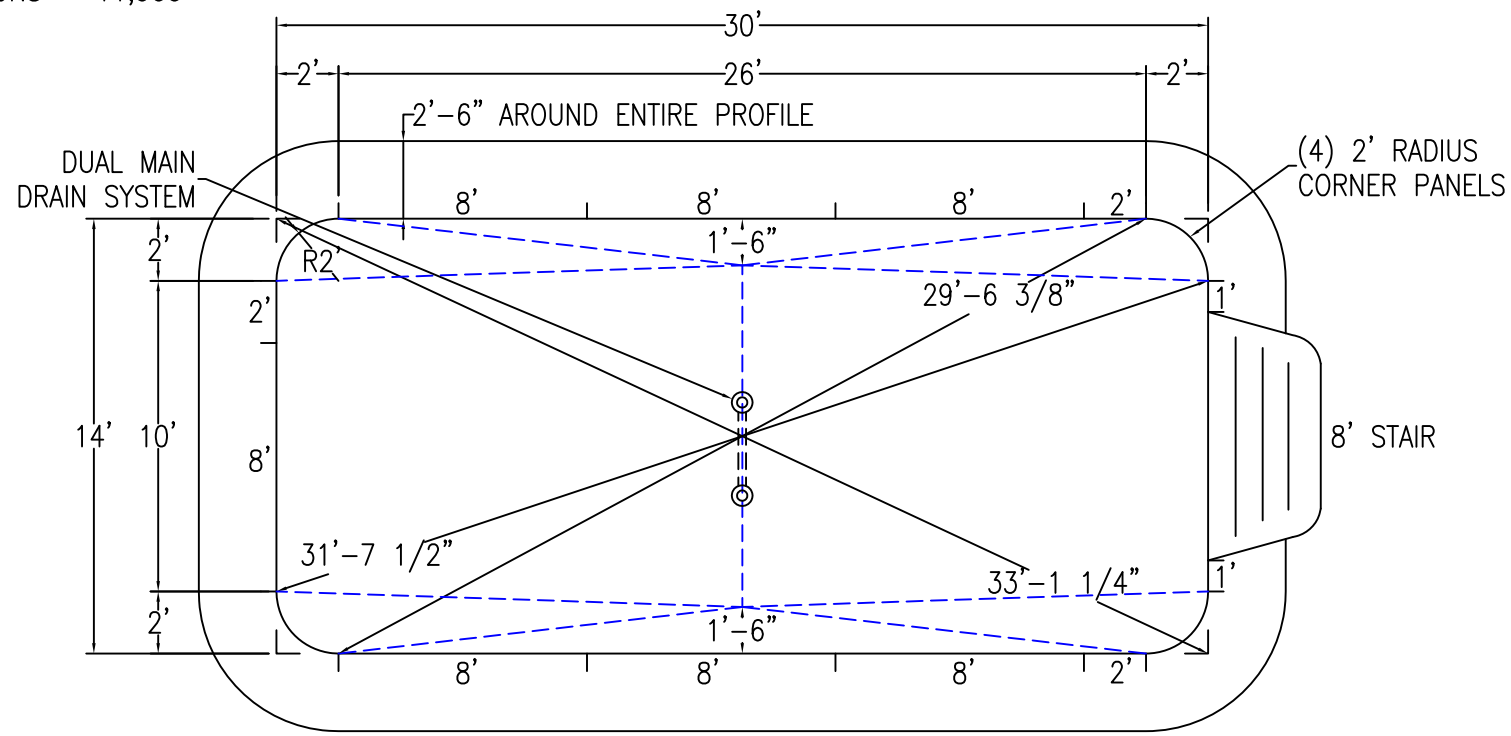
NAME \_\_\_\_\_  
 LINER CHOICE \_\_\_\_\_  
 DATE \_\_\_\_\_  
 CUSTOMER \_\_\_\_\_

- NOTES:
1. X-BRACES ON MAXIMUM 4'-0" SPACING
  2. SAFETY LINE MUST BE 12" IN FRONT OF BREAK IF SLOPE IS LESS THAN 7' to 1' PITCH
  3. DUAL MAIN DRAIN SYSTEM SHOULD BE INSTALLED IN ACCORDANCE TO FOX POOLS RECOMMENDATION.
  4. **\*IMPORTANT 6' MINIMUM DEPTH UNDER DIVING BOARD**
  5. INSTALLATION TO BE IN ACCORDANCE WITH FOX POOL RECOMMENDATIONS

FOX POOL	
TITLE 1838 PROMO OVAL 8' w. 8' RADIUS STAIR CENT.	
DATE 9/28/23	TYPE II
DWG. NO. 02-1769	SCALE NONE
DRW. BY S.SHOCKNEY	

© ALL RIGHTS RESERVED

TRUE PERIMETER - 84'-7"  
 SQFT SWIM AREA - 417  
 APPROX GALLONS - 11,900



DRAWING MUST BE APPROVED AND SIGNED BEFORE ORDER WILL BE PLACED FOR ALL SPECIAL ORDERS.

DEALER \_\_\_\_\_  
 LINER CHOICE \_\_\_\_\_  
 DATE \_\_\_\_\_  
 CUSTOMER \_\_\_\_\_

NOTES:

1. X-BRACES ON MAXIMUM 4'-0" SPACING
2. SAFETY LINE MUST BE 12" IN FRONT OF BREAK IF SLOPE IS LESS THAN 7' to 1' PITCH
3. DUAL MAIN DRAIN SYSTEM SHOULD BE INSTALLED IN ACCORDANCE TO FOX POOLS RECOMMENDATION.
4. NO DIVING BOARD ALLOWED! NOT SAFE FOR DIVING
5. INSTALLATION TO BE IN ACCORDANCE WITH FOX POOL RECOMMENDATIONS

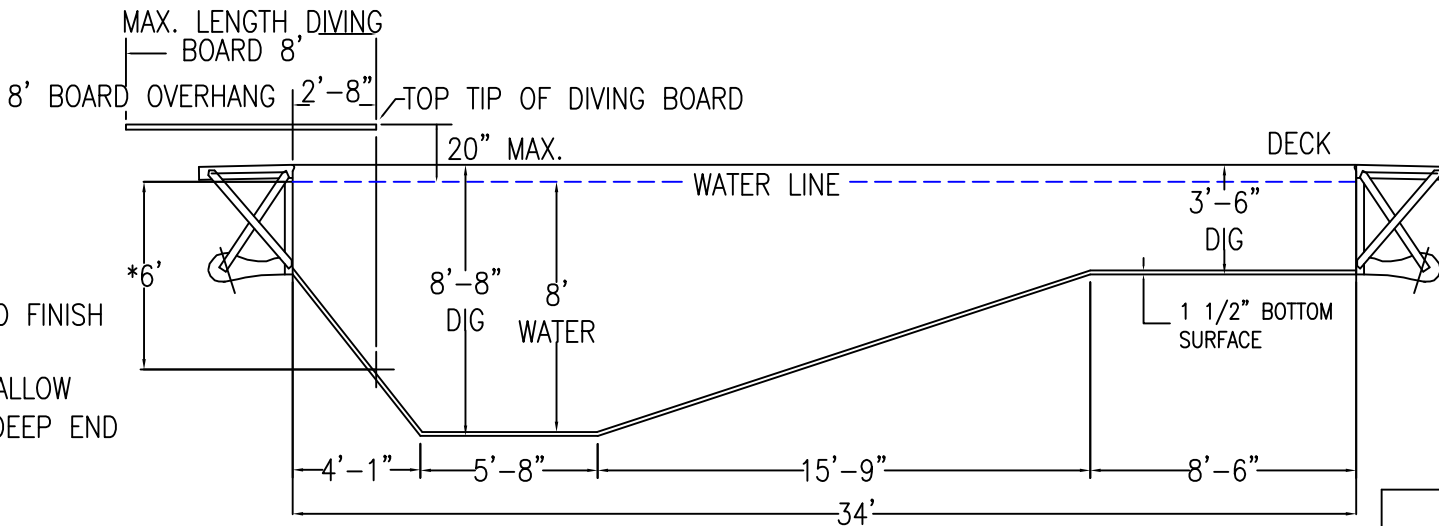
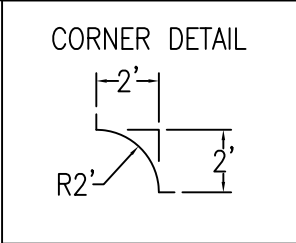
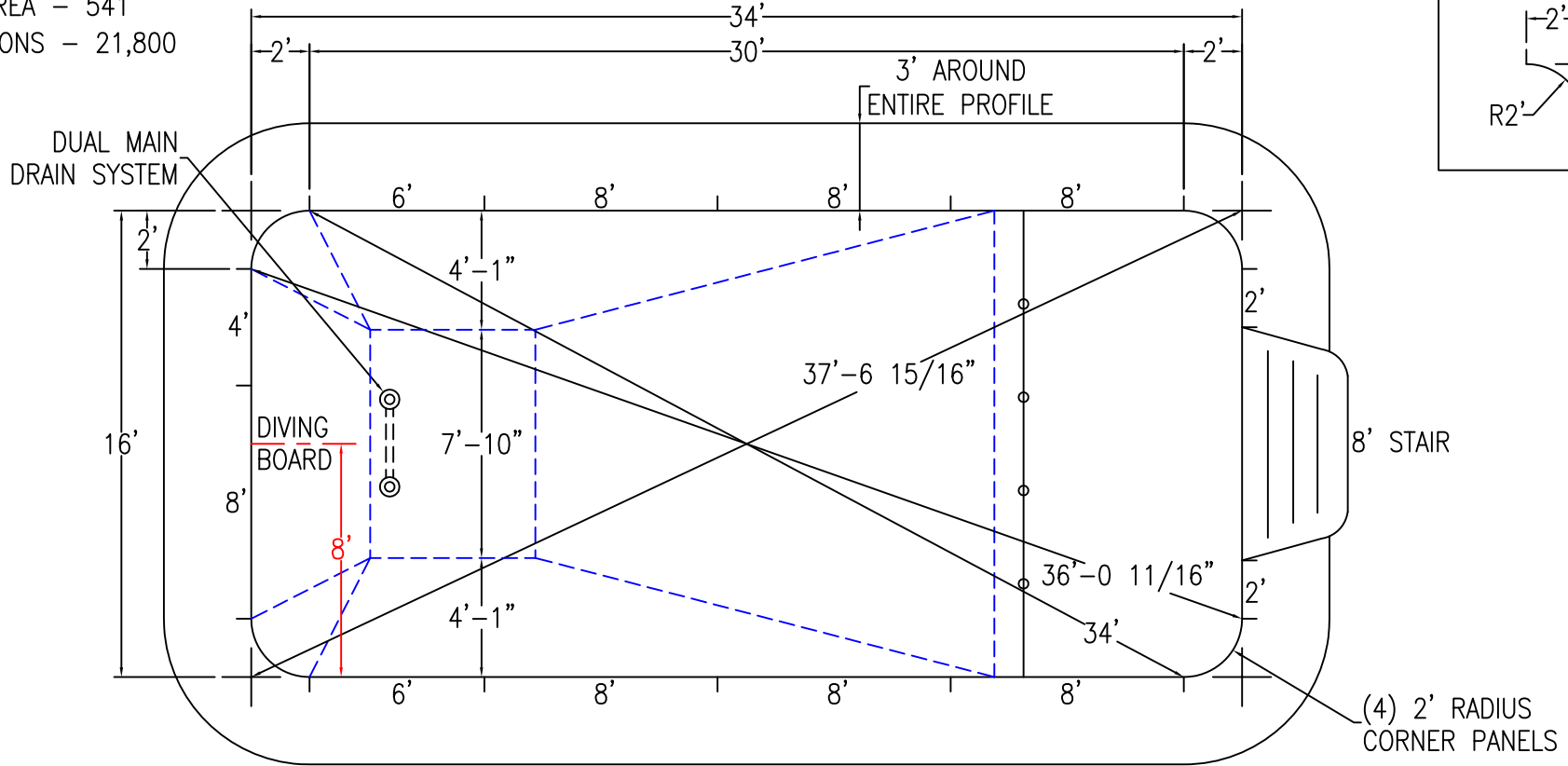
MAX DEPTH SHOW PER NSPI REGULATIONS

© ALL RIGHTS RESERVED

FOX POOL	
TITLE 1430 PROMO 2'R RECT SPT. w. 8' STR CENTERED	
DATE 9/28/23	TYPE 0
DWG. NO. 02-1770	SCALE NONE
DRW. BY S.SHOCKNEY	



TRUE PERIMETER - 96'-7"  
 SQFT SWIM AREA - 541  
 APPROX GALLONS - 21,800



DRAWING MUST BE APPROVED AND SIGNED BEFORE ORDER WILL BE PLACED

NAME \_\_\_\_\_  
 LINER CHOICE \_\_\_\_\_  
 DATE \_\_\_\_\_  
 CUSTOMER \_\_\_\_\_

- NOTES:
1. X-BRACES ON MAXIMUM 4'-0" SPACING
  2. SAFETY LINE MUST BE 12" IN FRONT OF BREAK IF SLOPE IS LESS THAN 7' TO 1' PITCH
  3. DUAL MAIN DRAIN SYSTEM SHOULD BE INSTALLED IN ACCORDANCE TO FOX POOLS RECOMMENDATION.
  4. INSTALLATION TO BE IN ACCORDANCE WITH FOX POOL RECOMMENDATIONS
  5. **\*IMPORTANT 6' MINIMUM DEPTH UNDER DIVING BOARD**

© ALL RIGHTS RESERVED

FOX POOL	
TITLE 1634 PROMO 2'R RECT 8' w. 8' STAIR CENTERED	
DATE 9/28/23	TYPE II
DWG. NO. 02-1771	SCALE NONE
DRW. BY S.SHOCKNEY	

